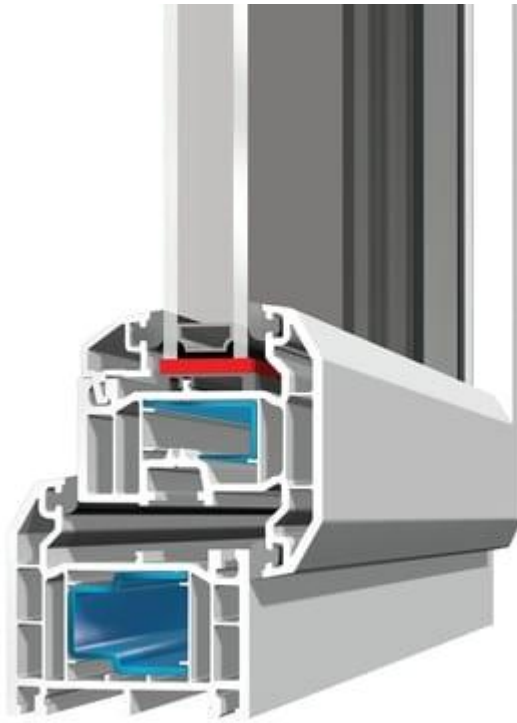


C70 Gold® window & door system

Previous



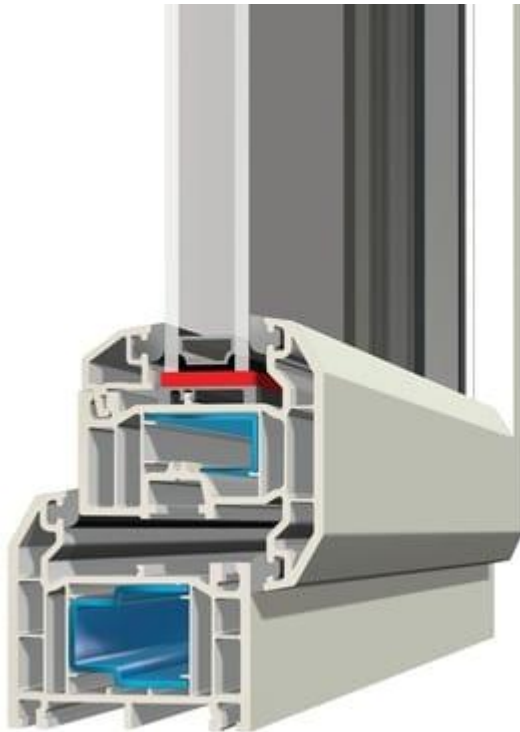
Next

C70 Gold® is a 5-chambered, highly energy efficient, chamfered window and door system, that's been designed specifically for the UK market. With the option of a number of foiled finishes from stock, there's a wide range of choice for the installation company and discerning consumer.

Like all of our window and door systems, C70 Gold® is packed with innovative product features. The 5-chambered design is far more energy efficient than the 3 chambered designs of yesteryear, resulting in more cost effective glass options for fabricators, installers and specifiers. With Building Regulations planned to change again in the near future, our PVCu window and door systems will lead the way.

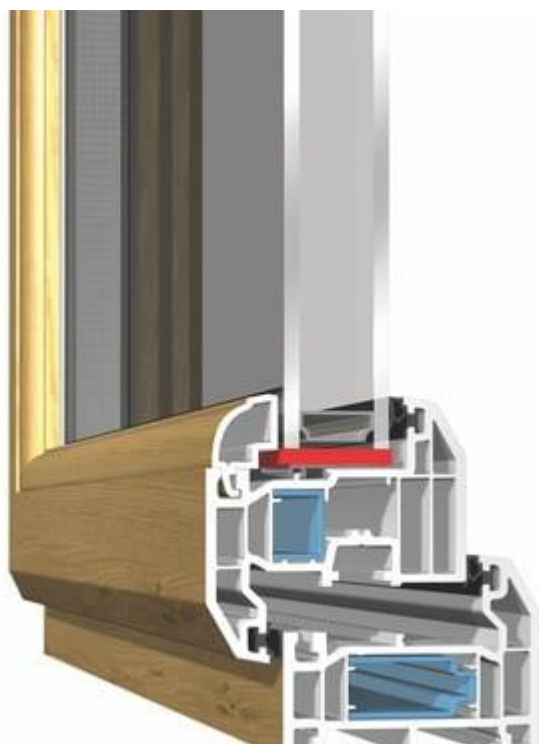
With over 40 rich colours and realistic woodgrains, there are a huge number of finishes in which to enhance the C70 Gold® system, making it a feature on any home, apartment or commercial property.

- **Highlights**
- Low line gaskets and weatherseals provide lasting performance and slimmer sightlines.
- The full depth, central eurogroove helps make the windows and doors more secure.
- Five chambered system is more energy efficient than the three chambered designs from many of our competitors.
- Steel reinforcement is used where needed, to add additional structural strength.
- The chamfered design of C70 Gold® gives a modern and clean look through the frame, sash and glazing bead.
- Single leg glazing bead is highly secure and easy to install on site.



C70 Gold® externally beaded sash

Previous



Next

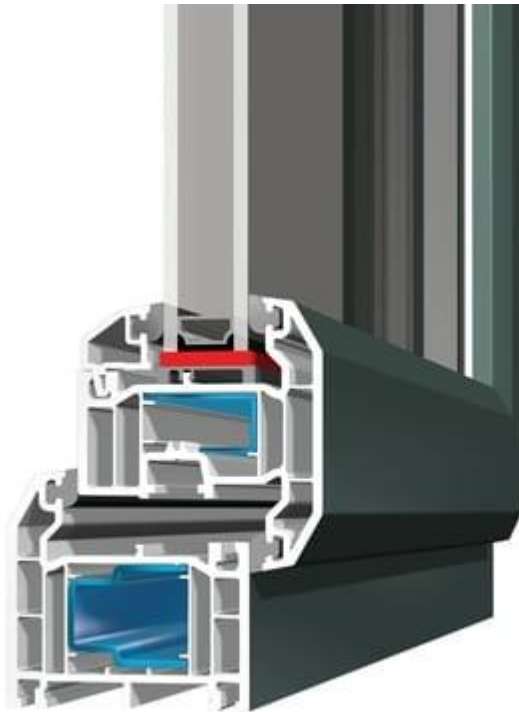
This externally beaded sash, is 70mm in height and has an ovolo bead detail to the external face of the sash.

The design also gives the appearance of a deep putty line, to create a more authentic looking single glazed timber window, yet in double glazed PVCu. This sash can also be combined with Kömmerling's O70 Gold® outer frame and transom to create a fully ovolo finish to the inside. Because of the deeper putty line glazing design, the face of the window has been reduced by 40%. This narrow face width and asymmetrical feature is critical to making an equal sightline design which replicates a single glazed timber window.

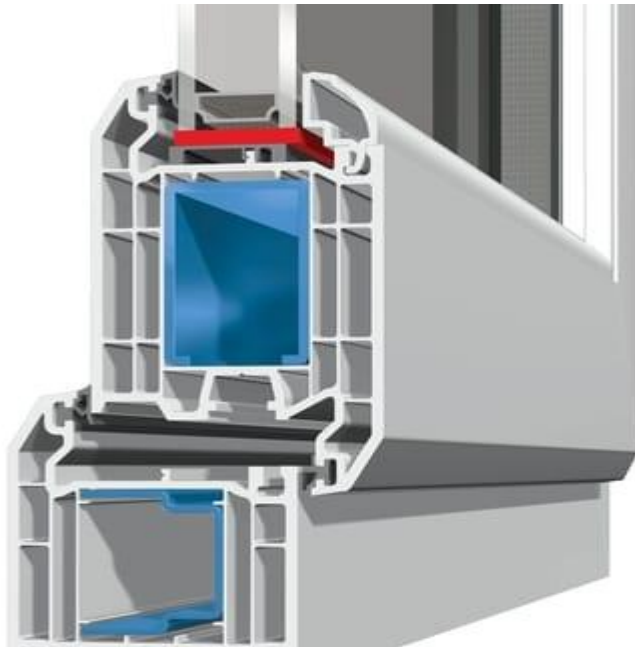
Like all of our window and door systems, C70 Gold® is packed with innovative product features. The 5-chambered design is far more energy efficient than the 3 chambered designs of yesteryear, resulting in more cost effective glass options for fabricators, installers and specifiers. With Building Regulations planned to change again in the near future, our PVCu window and door systems will lead the way.

With over 40 rich colours and realistic woodgrains, there are a huge number of finishes in which to enhance the externally beaded C70 Gold® system, making it a feature on any home, apartment or commercial property.

- **Highlights**
- Deep putty line glazing design, to replicate single glazing timber appearance
- Low line gaskets and weatherseals provide lasting performance and slimmer sightlines.
- The full depth, central eurogroove helps make the windows and doors more secure.
- Five chambered system is more energy efficient than the three chambered designs from many of our competitors.
- Steel reinforcement is used where needed, to add additional structural strength.
- The chamfered design of C70 Gold® gives a modern and clean look through the frame, sash and glazing bead.
- Single leg glazing bead is highly secure and easy to install on site



C70 and O70 Gold® Residential doors



We can offer a number of residential, entrance and French door options with fully glazed, panelled and composite door options all benefitting from our renowned C70 and O70 Gold® systems. With the option of a number of foiled finishes from stock, there's a wide range of choice for the installation company and discerning consumer.

Composite doors are currently the in vogue, low maintenance home improvement product of choice and it's for good reason that the market leaders, Solidor choose Kommerling for their door frames. They are packed with detailed features and our 5-chambered design is far more energy efficient than the 3 chambered designs of yesteryear. Visit www.solidor.co.uk for further information.

With over 40 rich colours and realistic woodgrains, there are a huge number of finishes in which to enhance our C70 Gold® and O70 Gold® systems, making it a feature on any home, apartment or commercial property.

- **Highlights**

- Option of glazed, panelled, composite and French (double door options)
- Low line gaskets and weatherseals provide lasting performance and slimmer sightlines.
- Five chambered system is more energy efficient than the three chambered designs from many of our competitors.
- Steel reinforcement is used where needed, to add additional structural strength.
- Composite doors offer enhanced levels of security, thanks to multi-point locking systems
- There's always a Solidor entrance door to complement any Kömmerling window design.

C70 Gold® Georgian bar

Previous



Next

We have a range of period inspired Georgian and heritage bars for our systems, which can which can enhance the appearance of both window designs on any property. They also look far more attractive and authentic than the glazed in Georgian bars from the first generation PVCu windows.

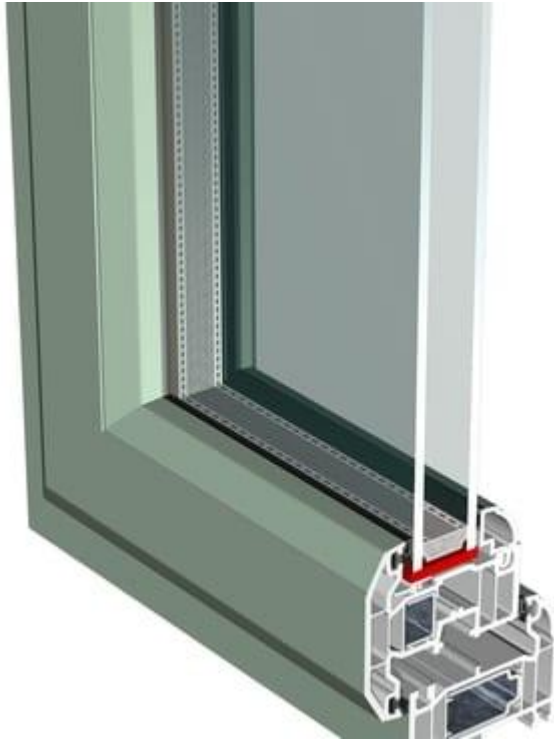
Like all of our window and door products, our systems are packed with innovative product features. The 5-chambered design is far more energy efficient than the 3 chambered designs of yesteryear, resulting in more cost effective glass options for fabricators, installers and specifiers. With Building Regulations planned to change again in the near future, our PVCu window and door systems will lead the way.

There are nine different finishes available from stock for the Georgian bars, which perfectly match the Kömmerling Georgian and heritage bars and more are available as a special order.

- **Highlights**
- Option of either chamfered or featured Georgian Bar.
- Both bars are 25mm wide and 16mm deep for an authentic finish.
- Comprises of edge clips, centre clips, and bars with mitred ends.
- Available in White Ash, Golden Oak, Irish Oak, Rosewood, Black, Grey, Cream and Chartwell Green.
- Can be toe and heeled during installation.
- Removes issue of failed 'stick on' alternatives.
- Provides a more authentic finish.
- Option of a 50mm horizontal heritage bar

C70 Gold® slim sash

Previous



Next

This slim sash is just 70mm in height and offers a greater passage of light, yet with all the same security and performance features of our other sash profiles.

This design gives the appearance of a deep putty line, to create a more authentic looking single glazed timber window, yet in double glazed PVCu. This sash is combined with Kömmerling's C70 Gold® outer frame and sculptured glazing bead to create an ovolo detail to the inside. Because of the deeper putty line glazing design, the face of the window has been reduced by 40%. This narrow face width and asymmetrical feature is critical to making an equal sightline design which replicates a single glazed timber window.

Like all of our window and door systems, C70 Gold® is packed with innovative product features. The 5-chambered design is far more energy efficient than the 3 chambered designs of yesteryear, resulting in more cost effective glass options for fabricators, installers and specifiers. With Building Regulations planned to change again in the near future, our PVCu window and door systems will lead the way.

With over 40 rich colours and realistic woodgrains, there are a huge number of finishes in which to enhance the externally beaded C70 Gold® system, making it a feature on any home, apartment or commercial property.

- **Highlights**
- Deep putty line glazing design, to replicate single glazing timber appearance
- Low line gaskets and weatherseals provide lasting performance and slimmer sightlines.
- The full depth, central eurogroove helps make the windows and doors more secure.
- Five chambered system is more energy efficient than the three chambered designs from many of our competitors.
- Steel reinforcement is used where needed, to add additional structural strength.
- The chamfered design of C70 Gold® gives a modern and clean look through the frame, sash and glazing bead.
- Single leg glazing bead is highly secure and easy to install on site

