

AL 410
ALUMINIUM SYSTEMS

Opening system



Creativity in progress

Since 1982

with the raw material of aluminium and our ideas as inspiration, we work with devotion to continually improve the lives of our clients through the creation of a better, safer and more comfortable environment. This is what we mean at ALUMINCO when we say **creativity in progress!**







A distinctive aluminium industry

ALUMINCO represents the first company in the field, which since its foundation in 1982, initiated a new generation of innovative products of cast aluminium in traditional designs, complying with the current architectural and constructional needs.

Today it has been developed into a completely vertical aluminium industry, probably unique in Greece that processes aluminium in three ways:

- Extrusion - with a production capacity of 13.000 tones of profile per year
- Doors & panels - with a production capacity of 70.000 panels per year
- Foundry - with a production capacity of 1.000 tones per year

In ALUMINCO's production center, which is extended into 30.000 sq.m in Inofyta Viotia, 40 km from Athens, the company has integrated aluminium process units, electrostatic powder coatings, montage, finishing and packaging of the products which produces and delivers finished, ready for use.

With integrated solutions for the professional constructor Today, among the architectural and constructional solutions, based on aluminium, that ALUMINCO offers, are included:

- Aluminium Profile Systems
- Aluminium Panels
- Main entrance doors
- Railing systems
- Outdoor living systems

And outstanding corporate strategy

• Restless, innovative spirit

Continuously focusing into research and development of new, improved products and systems which can fully comply with the quality, aesthetics and functionality standards, of the most demanding and fast developing markets of the world. Besides, it's

not an accidental fact that ALUMINCO's export activity covers 60 countries and 5 continents.

• Persistence in quality

With production processes certified by the ISO 9001 & ISO 9014
With dyeing processes based on the QUALICOAT specifications and extra Seaside Class process.

With aluminium systems and railings certified by international institutes and organizations, such as IFT Rosenheim, Bureau Veritas, TUV, INSTITUTO GIORDANO, ICC, EKANAL.

• Great flexibility

To conform to customers' special needs and requirements. Although ALUMINCO produces a great range of products and covers almost every architectural and constructional application, it is always available to design and produce customized products and solutions in order to satisfy even the most demanding ones!



AL 410
ALUMINIUM SYSTEMS

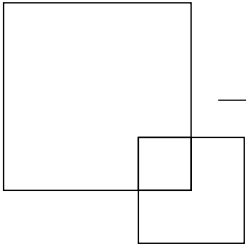
INDEX

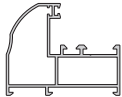
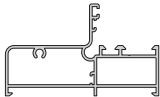

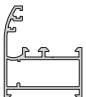
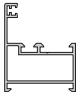
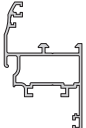
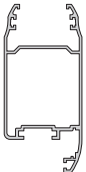
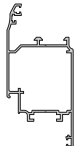
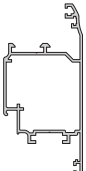
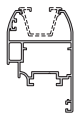
Catalogue Overview	9
Profiles 1:1	17
Sections	27
Cutting calculations	41
Accessories	55
Punch Machine	75

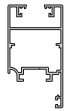
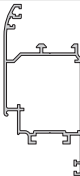
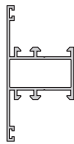

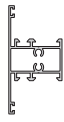
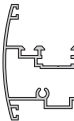



ALUMINCO
ALUMINIUM BUILDING SYSTEMS

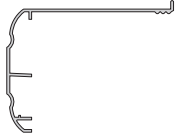









AL 410
ALUMINIUM SYSTEMS

Catalogue Overview



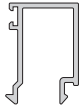








Code	Shape	Weight	Moment of Inertia	Moment of Resistance	Description
		Length			
410-102		964 gr/m	$J_{xx}=6,94 \text{ cm}^4$ $J_{yy}=12,57 \text{ cm}^4$	$W_x=2,44 \text{ cm}^3$ $W_y=3,87 \text{ cm}^3$	CURVED FRAME PROFILE
		6 m			
410-106		1080 gr/m	$J_{xx}= 5,31 \text{ cm}^4$ $J_{yy}= 23,94 \text{ cm}^4$	$W_x= 1,72 \text{ cm}^3$ $W_y= 5,67 \text{ cm}^3$	FRAME PROFILE STRAIGHT
		6 m			
410-108		1860 gr/m	$J_{xx}= \text{cm}^4$ $J_{yy}= \text{cm}^4$	$W_x= \text{cm}^3$ $W_y= \text{cm}^3$	
		6 m			
410-111		702 gr/m	$J_{xx}=4,30 \text{ cm}^4$ $J_{yy}=5,59 \text{ cm}^4$	$W_x=1,47 \text{ cm}^3$ $W_y=2,30 \text{ cm}^3$	FRAME PROFILE STRAIGHT
		6 m			
410-112		655 gr/m	$J_{xx}= \text{cm}^4$ $J_{yy}= \text{cm}^4$	$W_x=2,35 \text{ cm}^3$ $W_y=3,25 \text{ cm}^3$	FRAME PROFILE STRAIGHT
		6 m			
410-202		815 gr/m	$J_{xx}= 7,55 \text{ cm}^4$ $J_{yy}= 6,72 \text{ cm}^4$	$W_x= 2,22 \text{ cm}^3$ $W_y= 3,21 \text{ cm}^3$	SASH PROFILE FOR OPENING WINDOWS
		6 m			
410-204		1056 gr/m	$J_{xx}= 25,61 \text{ cm}^4$ $J_{yy}= 10,34 \text{ cm}^4$	$W_x= 5,58 \text{ cm}^3$ $W_y= 4,65 \text{ cm}^3$	SASH PROFILE FOR DOORS
		6 m			
410-205		1053 gr/m	$J_{xx}= \text{cm}^4$ $J_{yy}= \text{cm}^4$	$W_x= \text{cm}^3$ $W_y= \text{cm}^3$	SASH PROFILE
		6,5 m			
410-207		1057 gr/m	$J_{xx}= 24,75 \text{ cm}^4$ $J_{yy}= 10,35 \text{ cm}^4$	$W_x= 5,18 \text{ cm}^3$ $W_y= 3,90 \text{ cm}^3$	SASH FOR DOORS OPENING OUTSIDE
		6 m			
410-209		953 gr/m	$J_{xx}= \text{cm}^4$ $J_{yy}= \text{cm}^4$	$W_x= \text{cm}^3$ $W_y= \text{cm}^3$	SASH PROFILE
		6 m			

Code	Shape	Weight	Moment of Inertia	Moment of Resistance	Description
		Length			
410-212		941 gr/m	$J_{xx} = \text{cm}^4$ $J_{yy} = \text{cm}^4$	$W_x = \text{cm}^3$ $W_y = \text{cm}^3$	SASH PROFILE
		6 m			
410-225		1063 gr/m	$J_{xx} = 25,05 \text{ cm}^4$ $J_{yy} = 11,32 \text{ cm}^4$	$W_x = 5,27 \text{ cm}^3$ $W_y = 5,17 \text{ cm}^3$	SASH PROFILE FOR DOORS
		6 m			
410-301		761 gr/m	$J_{xx} = 7,14 \text{ cm}^4$ $J_{yy} = 4,62 \text{ cm}^4$	$W_x = 1,99 \text{ cm}^3$ $W_y = 2,05 \text{ cm}^3$	"T" SHAPE TRANSOM PROFILE
		6 m			
410-304		1180 gr/m	$J_{xx} = 46,75 \text{ cm}^4$ $J_{yy} = 8,55 \text{ cm}^4$	$W_x = 7,79 \text{ cm}^3$ $W_y = 4,14 \text{ cm}^3$	"T" SHAPE TRANSOM PROFILE
		6 m			
410-305		846 gr/m	$J_{xx} = \text{cm}^4$ $J_{yy} = \text{cm}^4$	$W_x = \text{cm}^3$ $W_y = \text{cm}^3$	"T" SHAPE TRANSOM PROFILE
		6 m			
410-501		812 gr/m	$J_{xx} = 6,79 \text{ cm}^4$ $J_{yy} = 5,60 \text{ cm}^4$	$W_x = 4,73 \text{ cm}^3$ $W_y = 4,47 \text{ cm}^3$	CENTRAL ADAPTER
		6 m			
410-401		1083 gr/m	$J_{xx} = 27,68 \text{ cm}^4$ $J_{yy} = 11,13 \text{ cm}^4$	$W_x = 6,19 \text{ cm}^3$ $W_y = 5,19 \text{ cm}^3$	SASH FRAME TRANSOM PROFILE
		6 m			
410-402		1310 gr/m	$J_{xx} = 71,84 \text{ cm}^4$ $J_{yy} = 10,27 \text{ cm}^4$	$W_x = 10,44 \text{ cm}^3$ $W_y = 5,52 \text{ cm}^3$	BOTTOM TRANSOM PROFILE
		6 m			
410-801		386 gr/m			WALL JOINING PROFILE
		6 m			

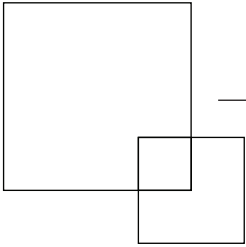
Code	Shape	Weight	Moment of Inertia	Moment of Resistance	Description
		Length			
410-802		665 gr/m			GAP COVER PROFILE
		6 m			
410-803		126 gr/m			CONNECTING COMPARTMENT
		6 m			
510-804		143 gr/m			CONNECTING COMPARTMENT
		6 m			
410-902		244 gr/m			GAP COVER PROFILE SYSTEM FOR VARIABLE WALL WIDTH
		6 m			
410-903		158 gr/m			ADDITIONAL PROFILE FOR AIRTIGHTNESS GASKET
		6 m			
410-904		245 gr/m			CLIP PROFILE FOR SINGLE GLASS SASHES
		6 m			
410-905		148 gr/m			TRANSMISSION ROD PROFILE FOR SASHES
		6 m			
410-906		350 gr/m			FLOOR PROFILE
		6 m			
410-907		313 gr/m			ADDITIONAL SASH FOR FRAME PROFILE
		6 m			
410-908		103 gr/m			TRANSMISSION ROD PROFILE FOR SASHES
		6 m			

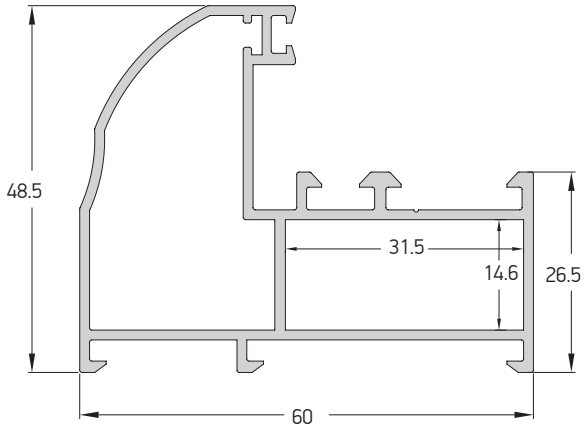
Code	Shape	Weight	Moment of Inertia	Moment of Resistance	Description
		Length			
245-014		433gr/m			LOUVER
		6,00m			
245-021		575 gr/m			DOUBLE SHUTTER BLIND
		6 m			
245-023		674 gr/m			DOUBLE SHUTTER BLIND
		6 m			
245-026		311gr/m			LOUVER
		6,00m			
245-027		263gr/m			LOUVER
		6,00m			
245-013		543 gr/m			PROFILE FOR SHUTTERS
		6,00m			
510-922		227 gr/m			CLIP FOR 570-802 GAP COVER
		6 m			
570-802		300 gr/m			FASTENED GAP COVER
		6 m			
410-703		243 gr/m			BEAD FOR GLASS UP TO 12,0MM
		6 m			
410-704		278 gr/m			BEAD FOR GLASS UP TO 12,0MM
		6 m			

Code	Shape	Weight	Moment of Inertia	Moment of Resistance	Description
		Length			
410-705		3147 gr/m			BEAD FOR GLASS UP TO 12,0MM
		6 m			
410-706		221 gr/m			BEAD FOR GLASS UP TO 25,0MM
		6 m			
510-712		273 gr/m			BEAD FOR GLASS UP TO 13,2 MM
		6 m			
510-718		265 gr/m			BEAD FOR GLASS UP TO 13,2 MM
		6 m			
420-721		235 gr/m			BEAD FOR GLASS UP TO 17 MM
		6 m			
420-722		268 gr/m			BEAD FOR GLASS UP TO 17 MM
		6 m			
420-723		253 gr/m			BEAD FOR GLASS UP TO 9 MM
		6 m			
420-724		282 gr/m			BEAD FOR GLASS UP TO 9 MM
		6 m			
420-726		166 gr/m			BEAD FOR GLASS UP TO 17 MM
		6 m			

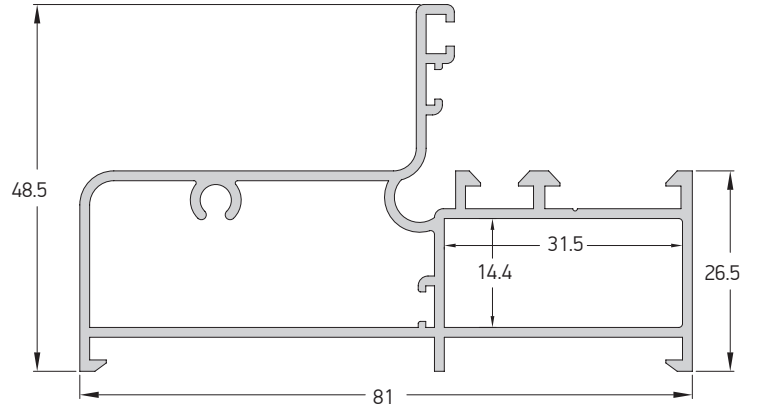
AL 410
ALUMINIUM SYSTEMS

Profiles 1:1

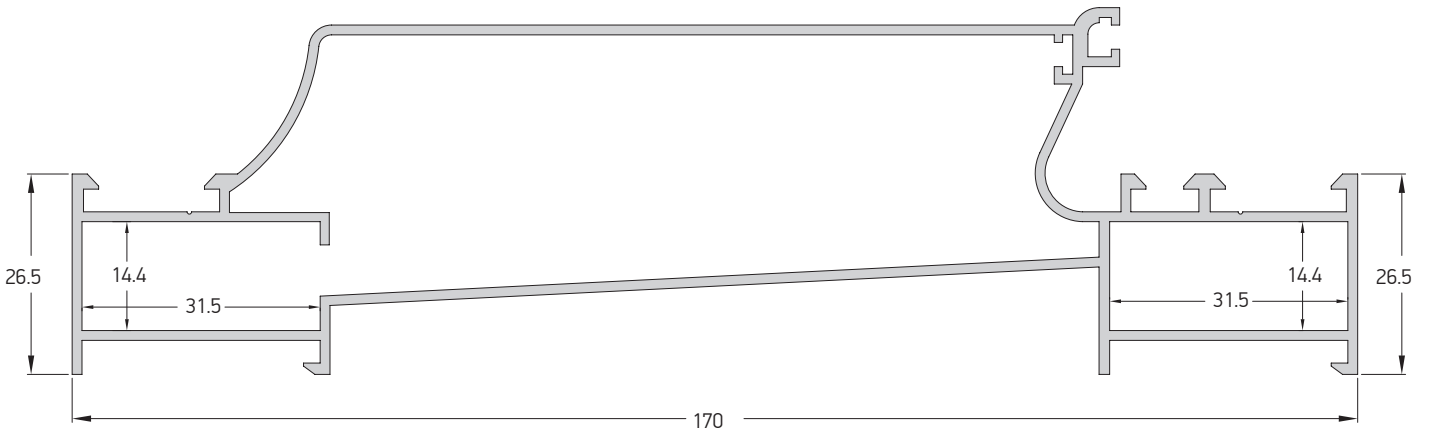




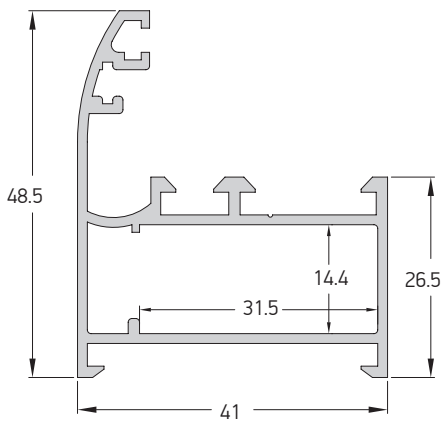
410-102	Curved frame profile	outer perimeter
937 gr/m		mm



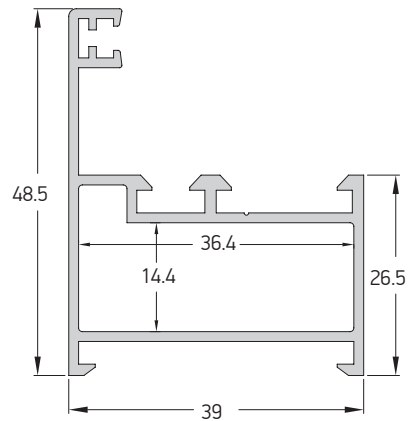
410-106	Frame profile straight	outer perimeter
1080 gr/m		355 mm



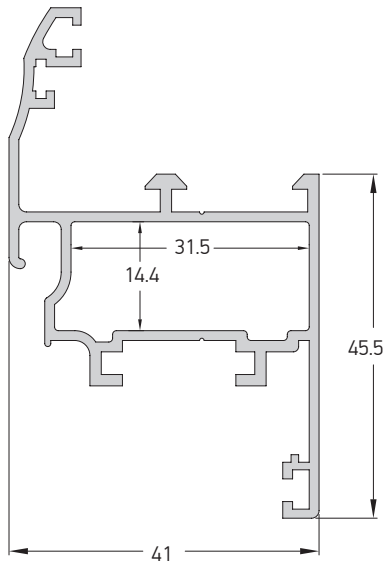
410-108		outer perimeter
1850 gr/m		mm



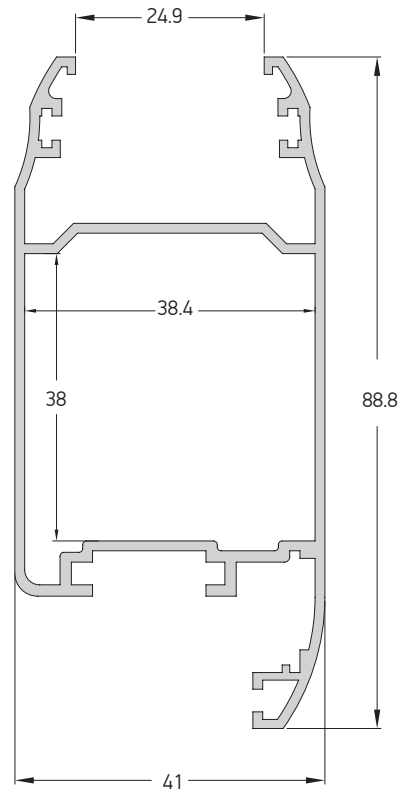
410-111	Frame profile straight	outer perimeter
702 gr/m		271 mm



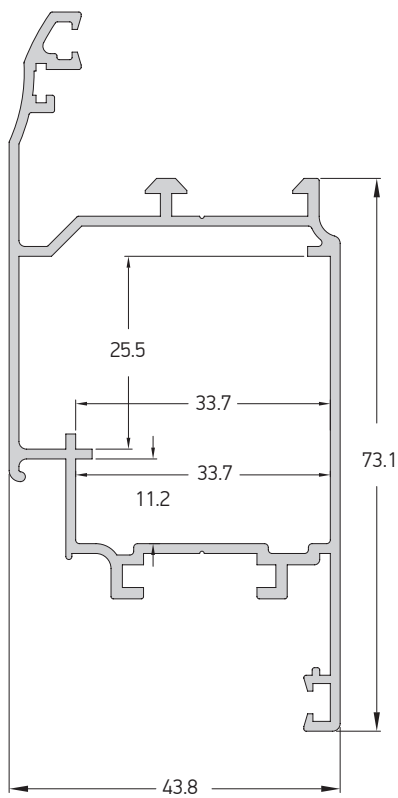
410-112	Frame profile straight	outer perimeter
655 gr/m		271 mm



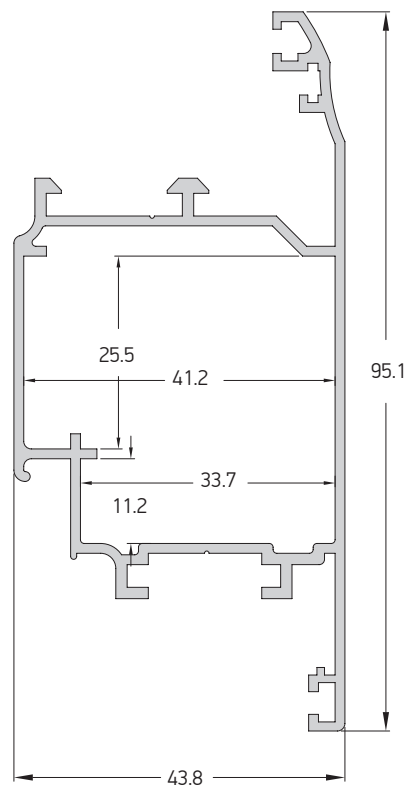
410-202	Sash profile for opening windows	outer perimeter
815 gr/m		349 mm



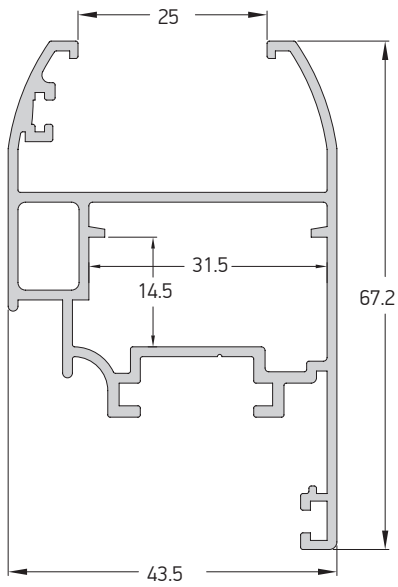
410-204	Sash profile for doors	outer perimeter
1056 gr/m		415 mm



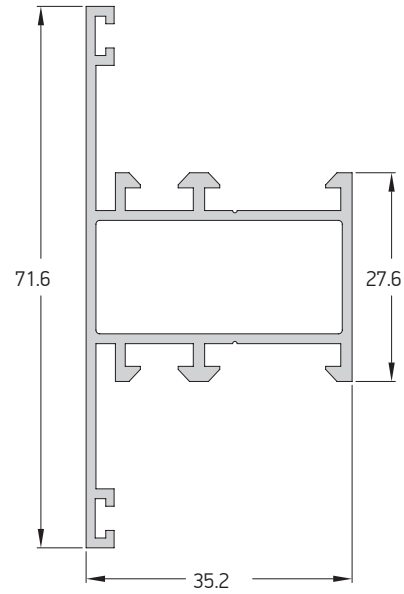
410-205	Sash profile for doors	outer perimeter
1053 gr/m		mm



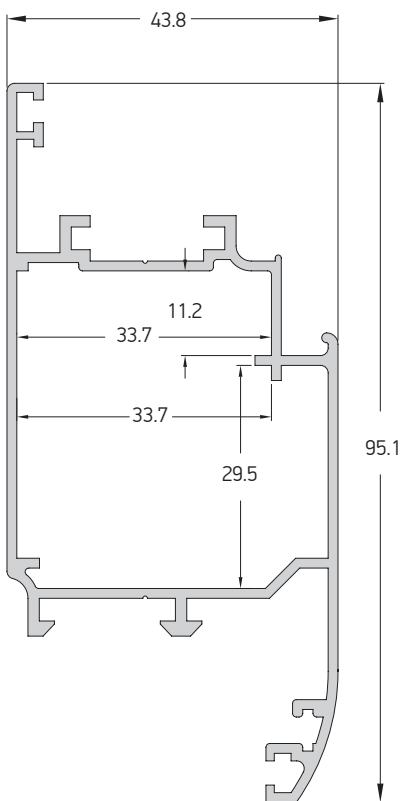
410-207	Sash for doors opening outside	outer perimeter
1057 gr/m		406 mm



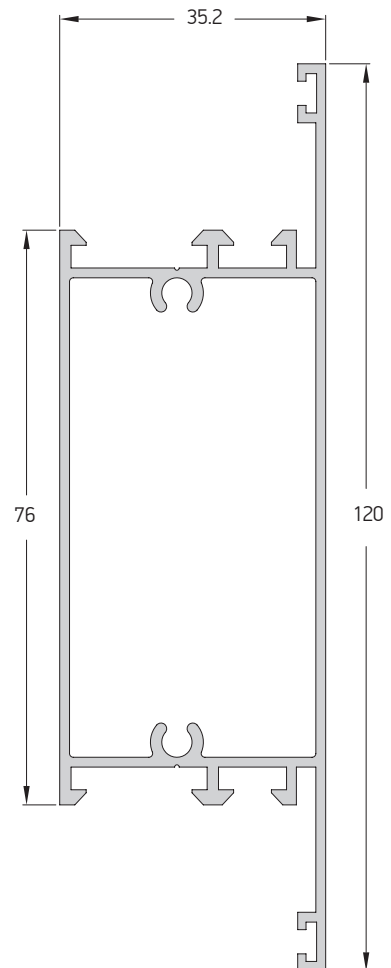
410-209	Sash profile	outer perimeter
953 gr/m		mm



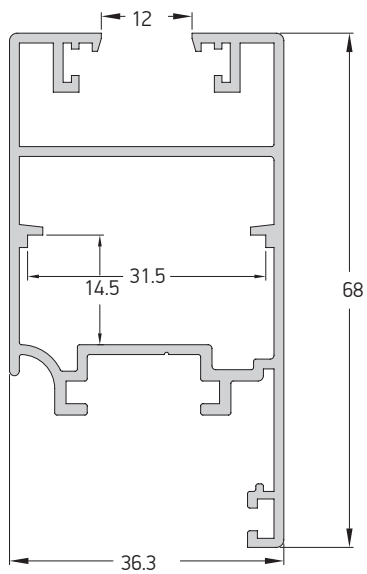
410-301	"T" shape transom profile	outer perimeter
761gr/m		327 mm



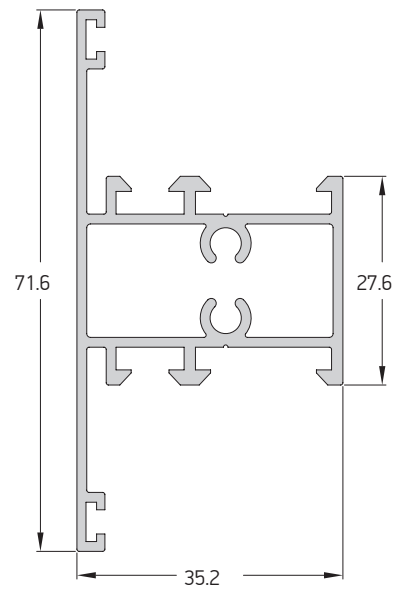
410-225	Sash profile for doors	outer perimeter
1063 gr/m		405 mm



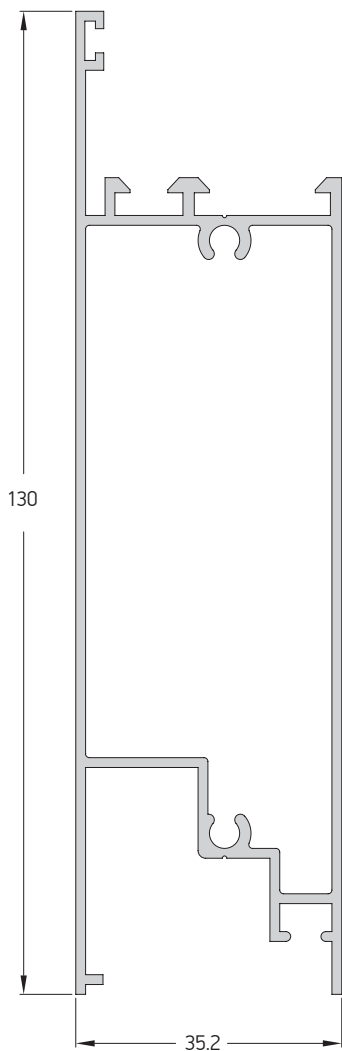
410-304	"T" shape transom profile	outer perimeter
1180/m		423 mm



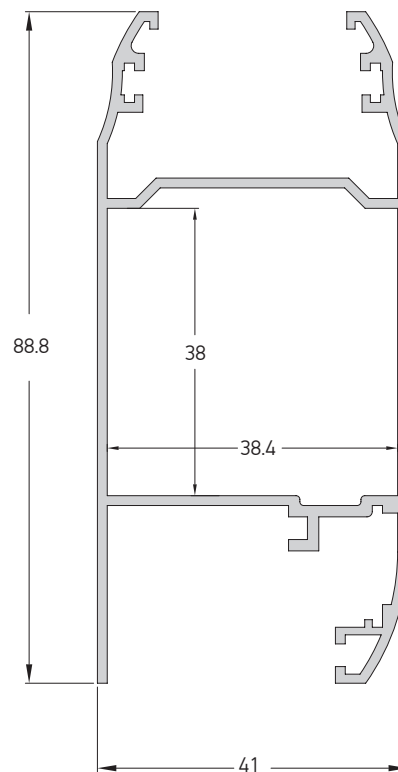
410-212	Sash profile	outer perimeter
941 gr/m		mm



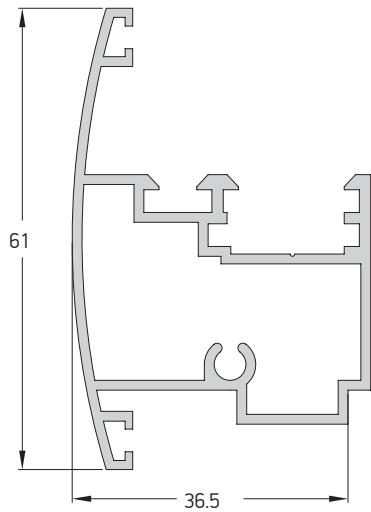
410-305	"T" shape transom profile	outer perimeter
846 gr/m		mm



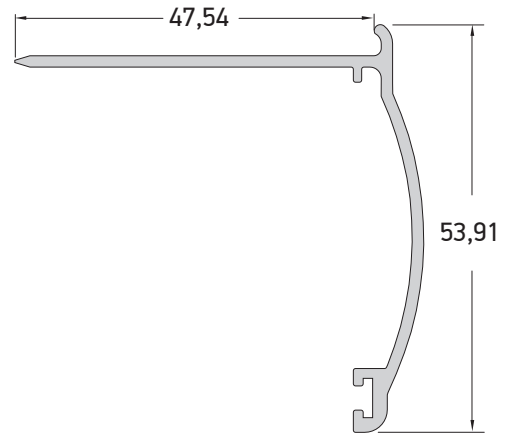
410-402	Bottom transom profile	outer perimeter
1320 gr/m		466 mm



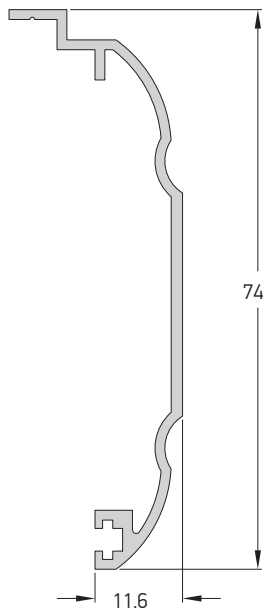
410-401	Sash frame transom profile	outer perimeter
1083 gr/m		445 mm



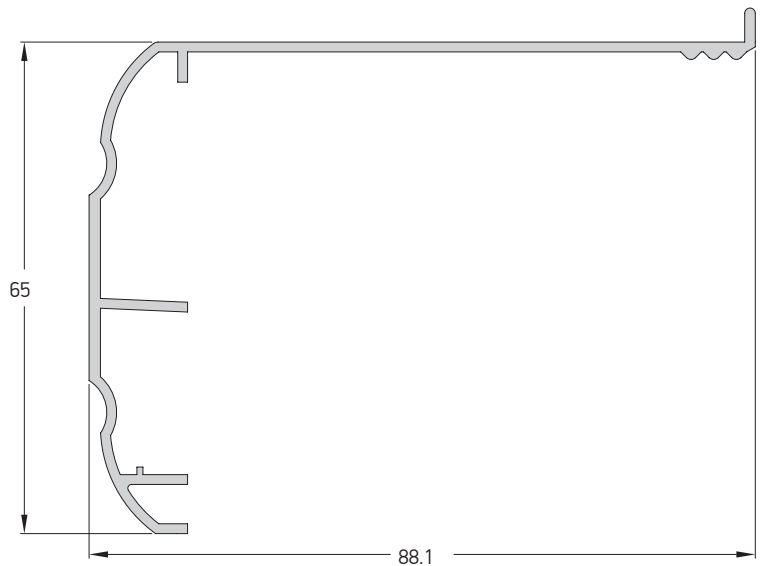
410-501	Central adapter	outer perimeter
812 gr/m		296 mm



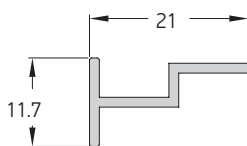
510-802	Gap cover for rolling shutter	outer perimeter
464 gr/m		226 mm



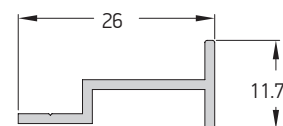
410-801	Gap cover profile	outer perimeter
386 gr/m		211 mm



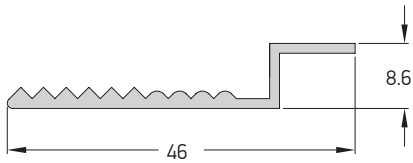
410-802	Gap cover profile	outer perimeter
665 gr/m		368 mm



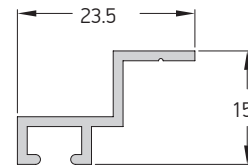
410-803	Floor Connecting comratment	outer perimeter
117 gr/m		70 mm



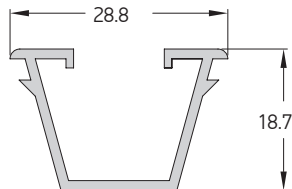
410-804	Floor Connecting comratment	outer perimeter
143 gr/m		mm



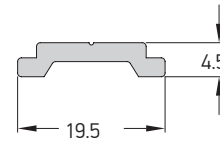
410-902	Gap cover profile system for variable wall width	outer perimeter
244 gr/m		119 mm



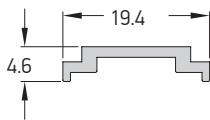
410-903	Additional for airtightness gasket	outer perimeter
158 gr/m		93 mm



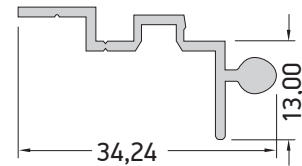
410-904	Clip profile for single glass sashes	outer perimeter
245 gr/m		143 mm



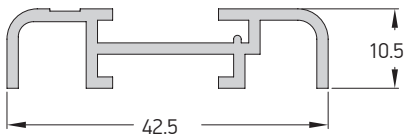
410-905	Transmission rod profile for sashes	outer perimeter
148 gr/m		49 mm



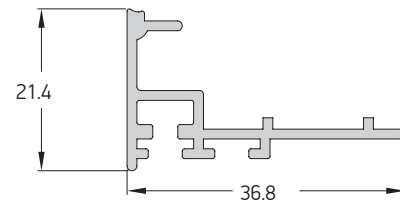
410-908	Transmission rod profile for sashes	outer perimeter
103 gr/m		mm



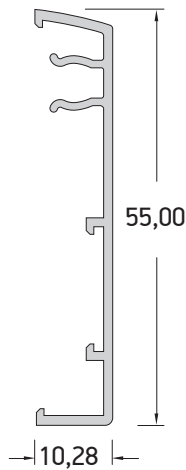
510-922	Clip for gap cover 570-802	outer perimeter
227 gr/m		119mm



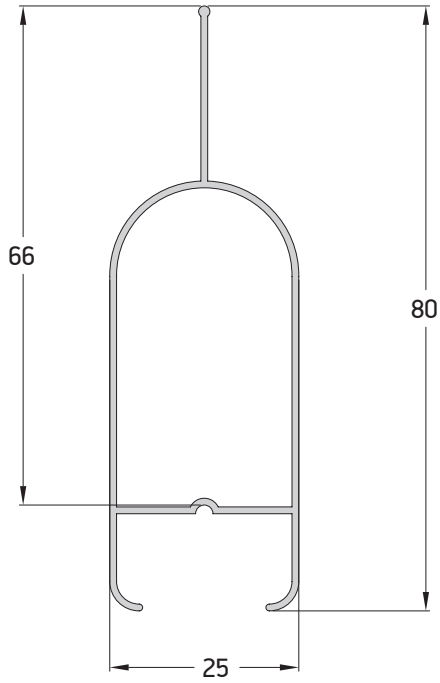
410-906	Floor profile	outer perimeter
350 gr/m		176 mm



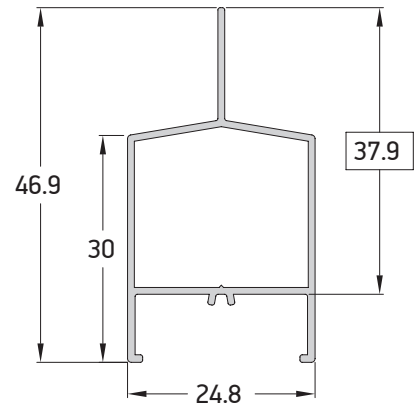
410-907	Additional sash frame profile for	outer perimeter
245 gr/m		143 mm



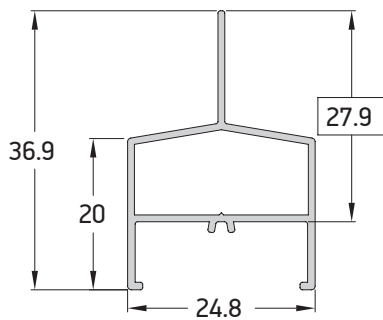
570-802	Fastened gap cover	outer perimeter
300 gr/m		189 mm



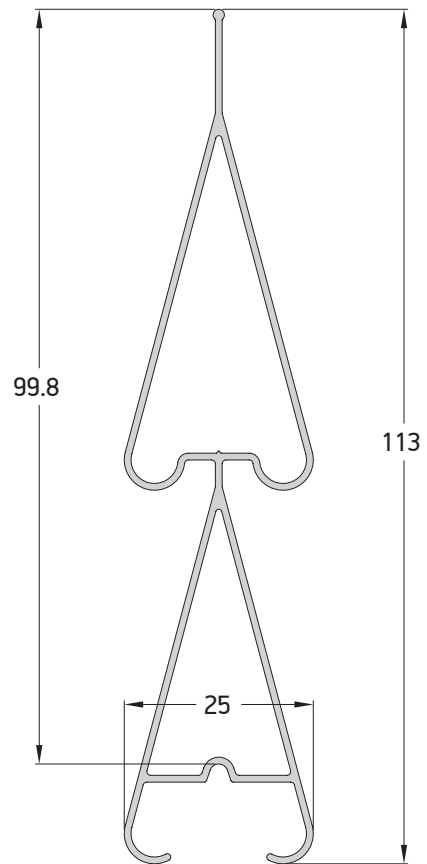
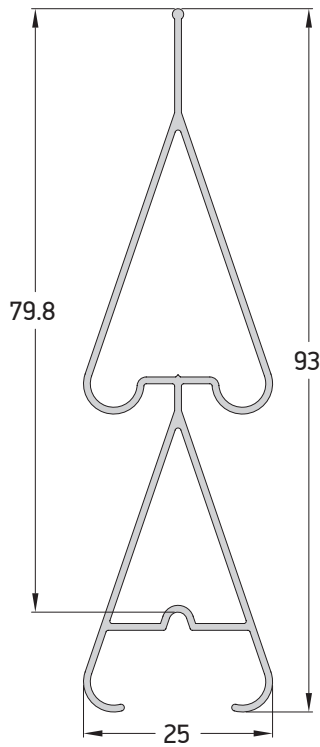
245-014	Louver	outer perimeter	Weight/Area
433 gr/m		mm	6600 gr/m ²



245-026	Louver	outer perimeter	Weight/Area
311 gr/m		mm	8200 gr/m ²

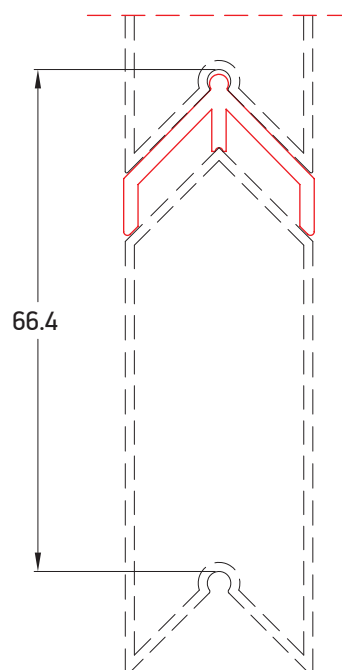
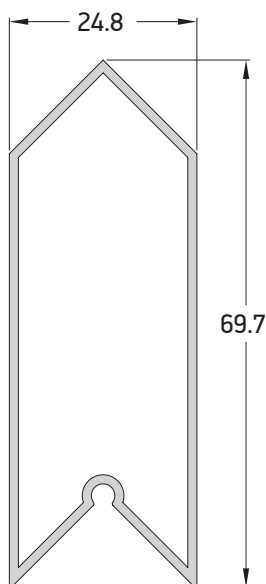


245-027	Louver	outer perimeter	Weight/Area
263 gr/m		mm	9400 gr/m ²

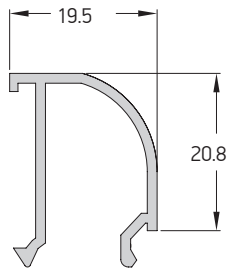


245-021	Double shutter blind	outer perimeter	Weight/Area
575 gr/m		200 mm	

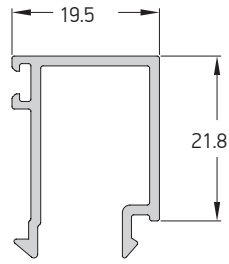
245-023	Double shutter blind	outer perimeter	Weight/Area
674 gr/m		326 mm	



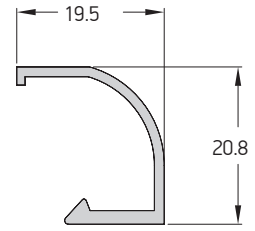
245-013	Double shutter blind	outer perimeter	Weight/Area
543 gr/m		188 mm	



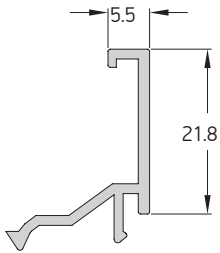
410-703	Bead for glass up to 12,0mm
243 gr/m	



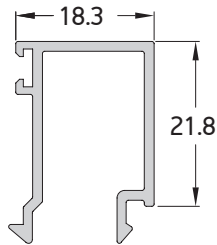
410-704	Bead for glass up to 12,0mm
278 gr/m	



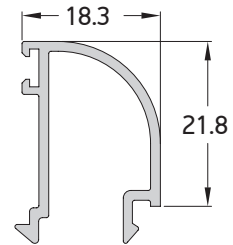
410-705	Bead for glass up to 12,0mm
174 gr/m	



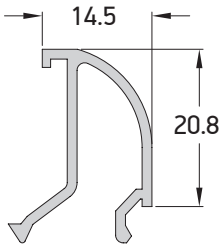
410-706	Bead for glass up to 25,0mm
221 gr/m	



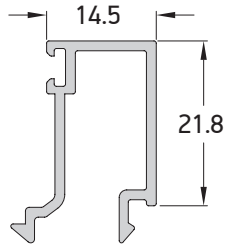
510-712	Bead for glass up to 13,2mm
273 gr/m	



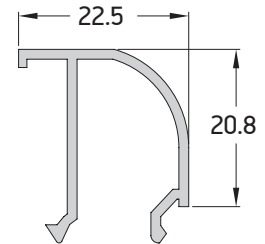
510-718	Bead for glass up to 13,2mm
265 gr/m	



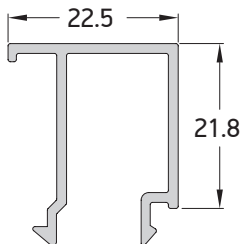
420-721	Bead for glass up to 17mm
235 gr/m	



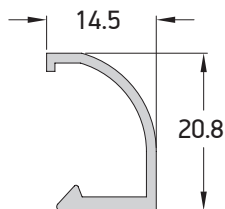
420-722	Bead for glass up to 17 mm
268 gr/m	



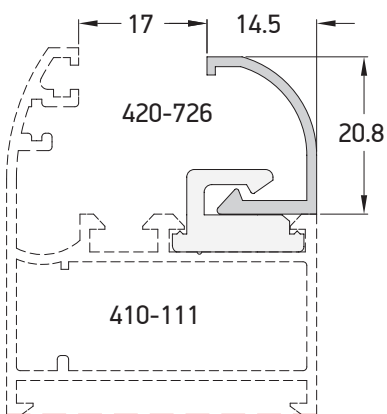
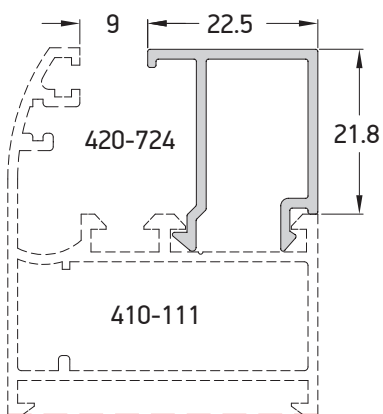
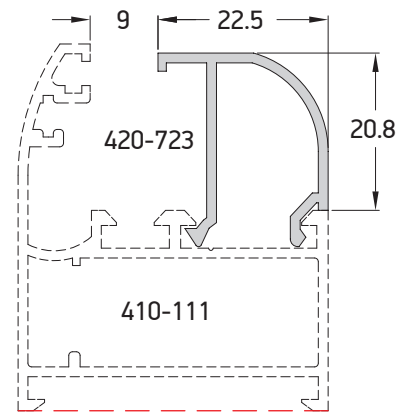
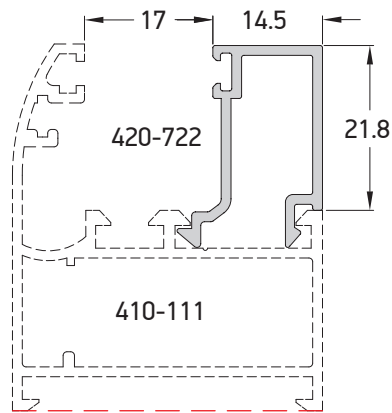
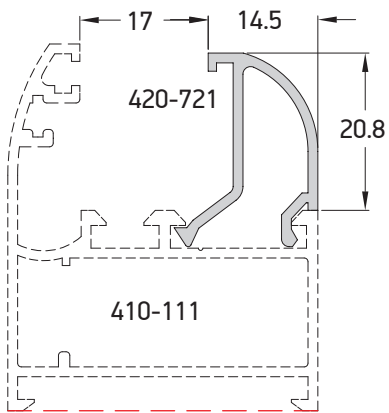
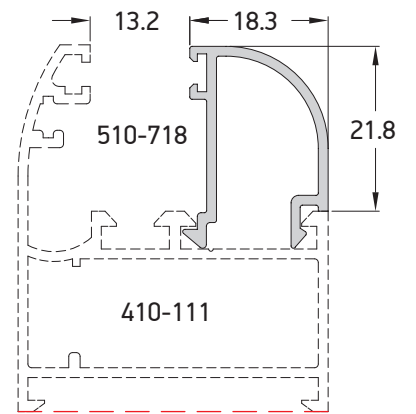
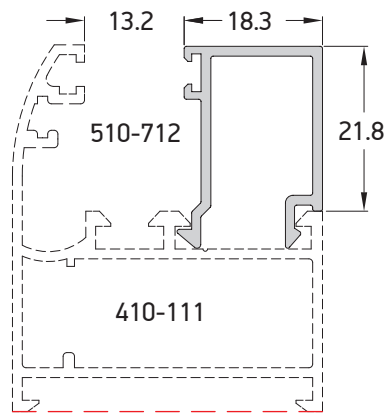
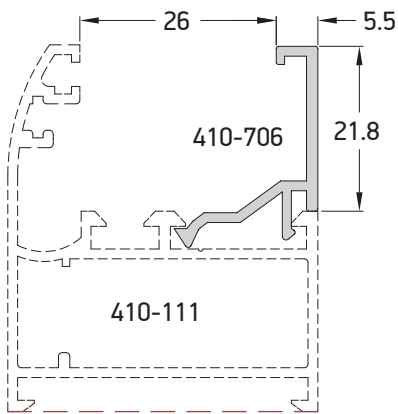
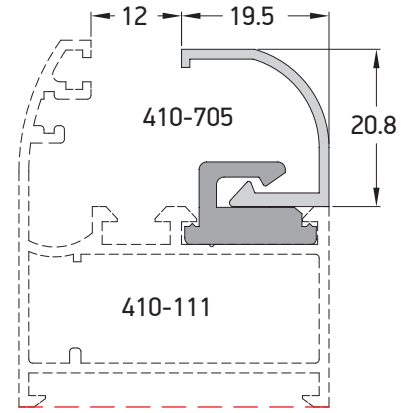
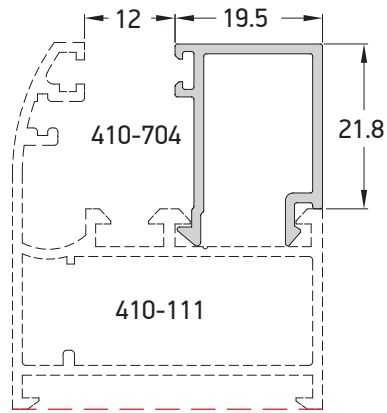
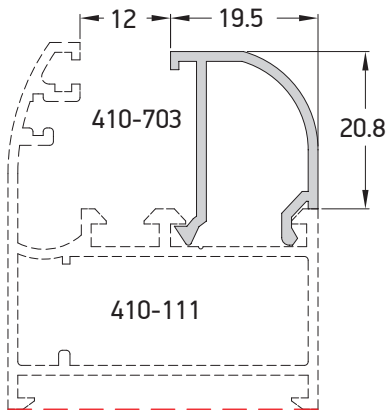
420-723	Bead for glass up to 9mm
253 gr/m	



420-724	Bead for glass up to 9mm
282 gr/m	

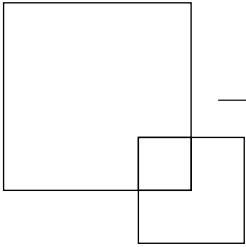


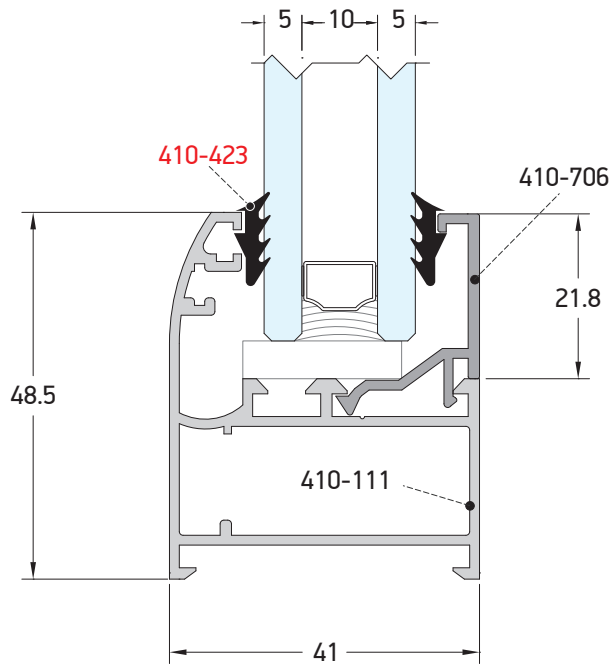
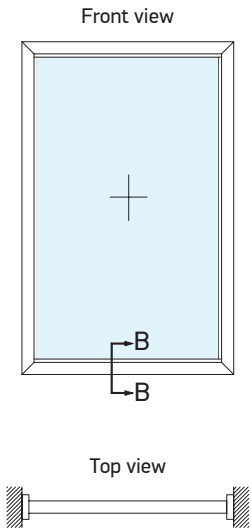
420-726	Bead for glass up to 17 mm
166 gr/m	



AL 410
ALUMINIUM SYSTEMS

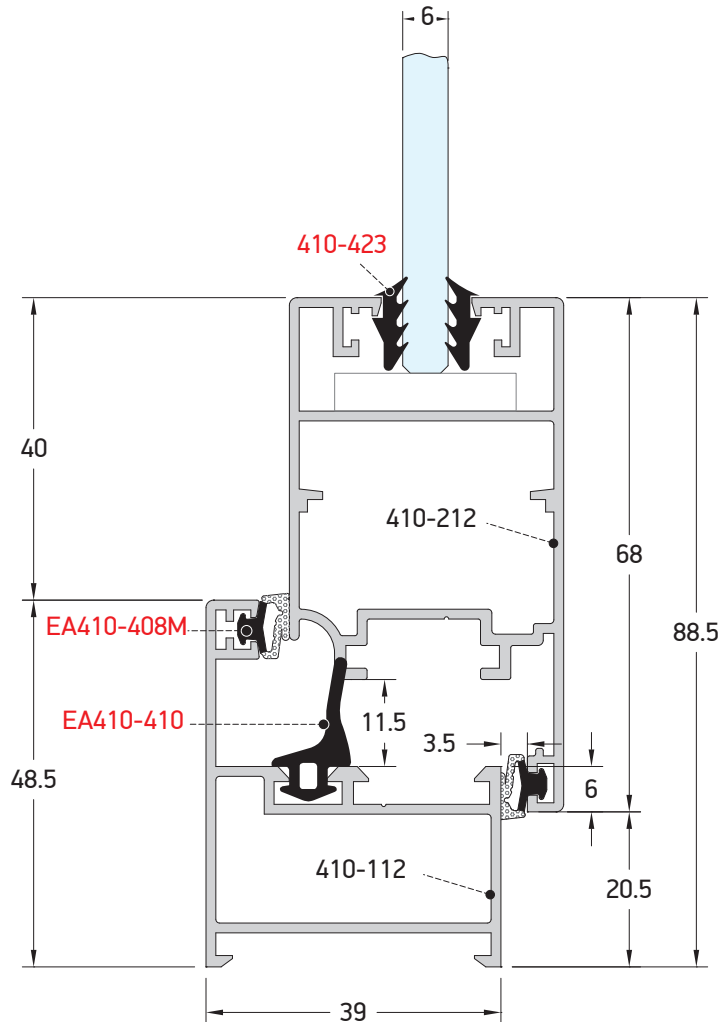
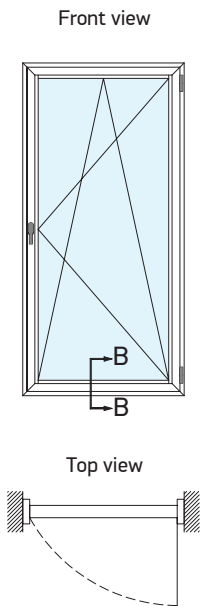
Sections





Section B-B
scale 1:1

Outside --|--Inside

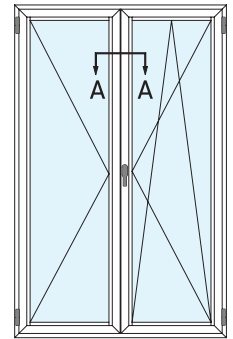


Section B-B
scale 1:1

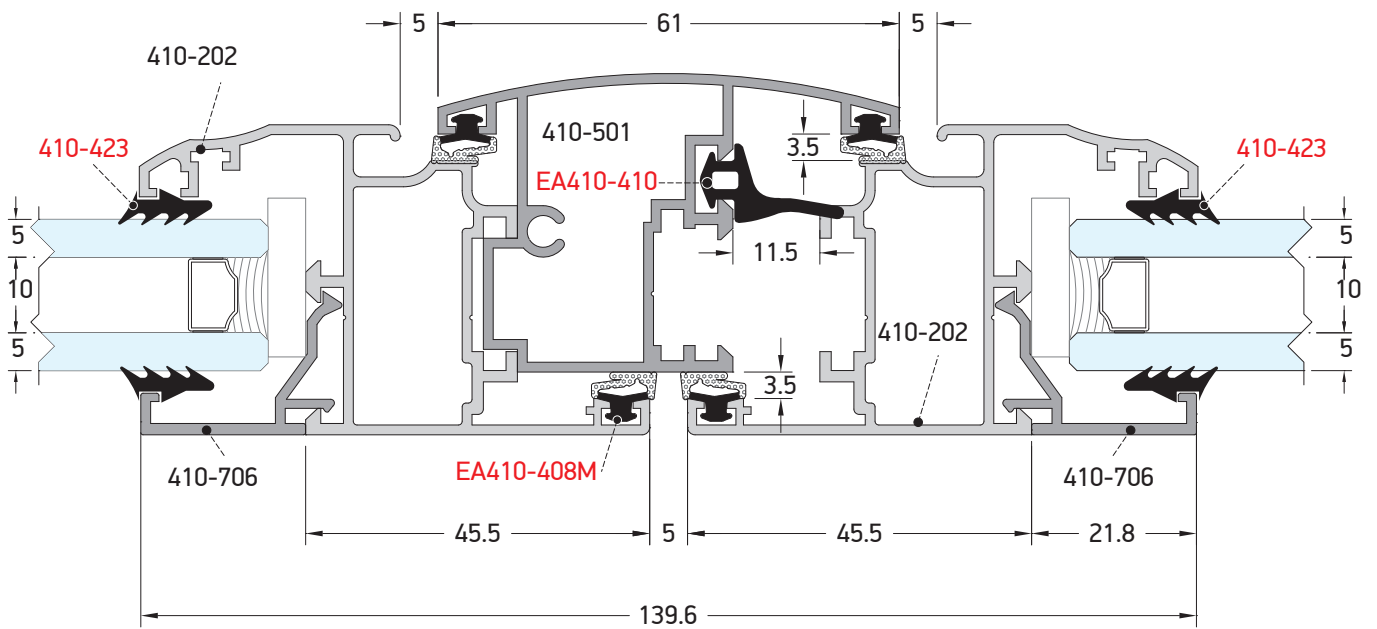
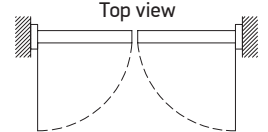
Outside --|--Inside

Section A-A
scale 1:1

Front view



Top view

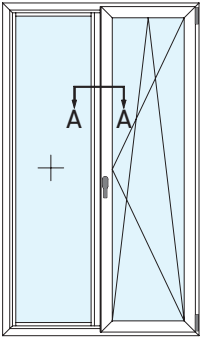


Outside



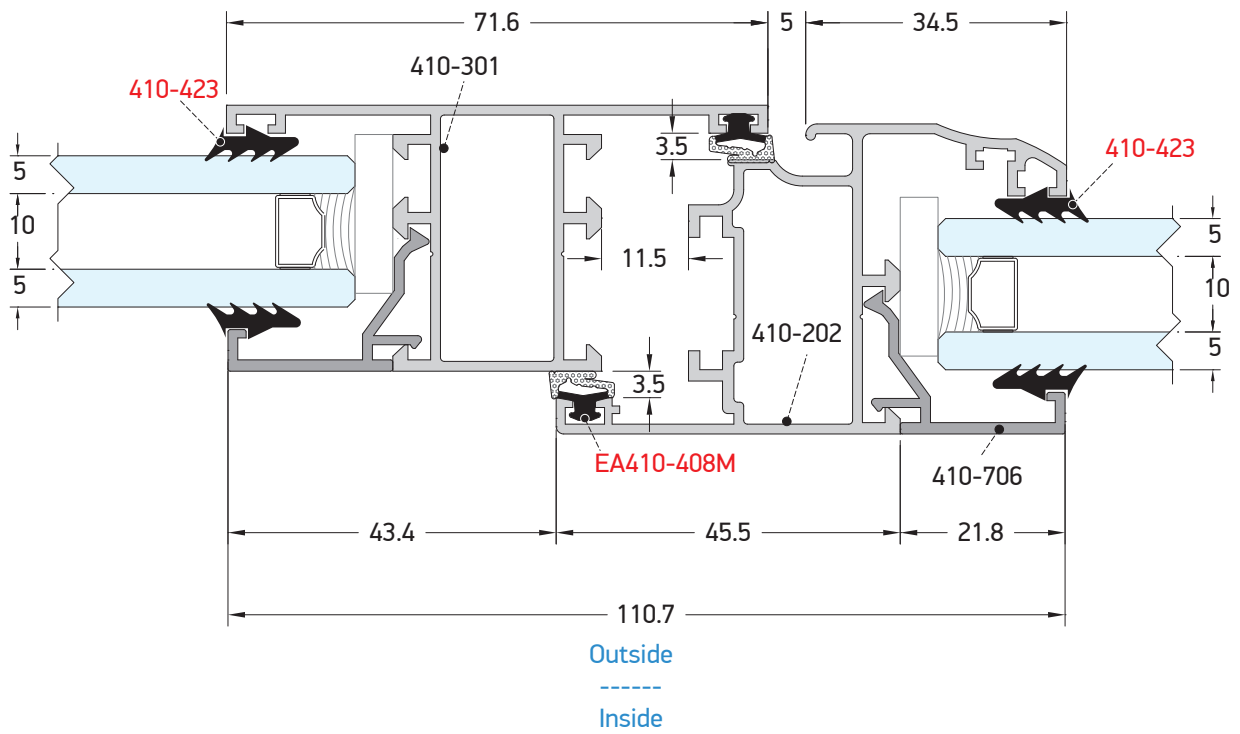
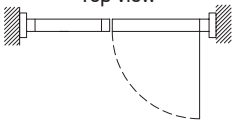
Inside

Front view

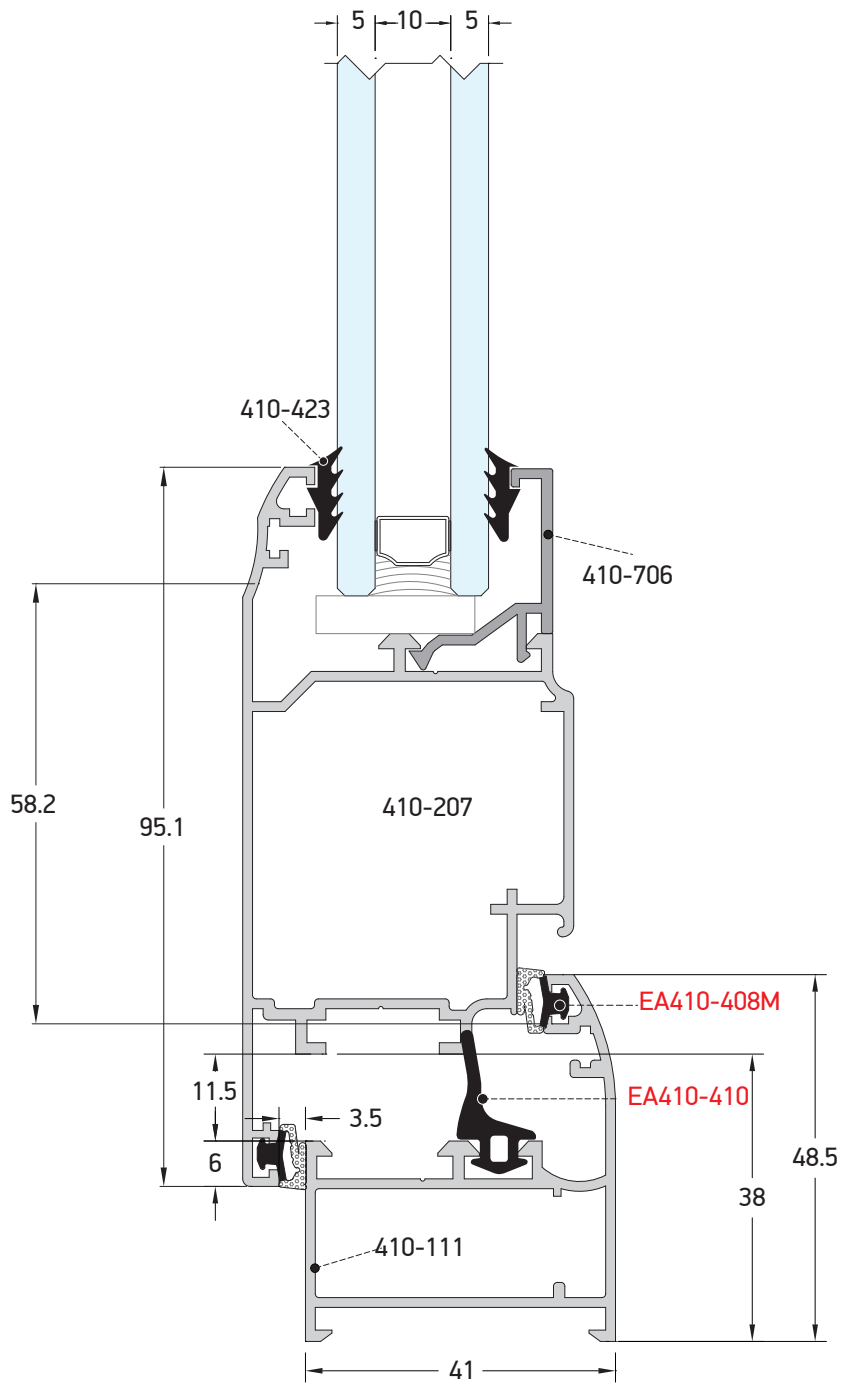


Section A-A
scale 1:1

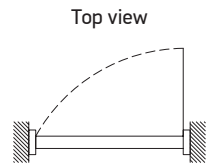
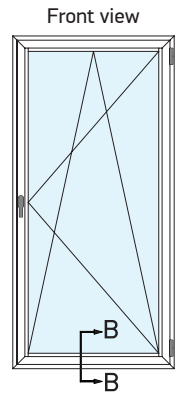
Top view



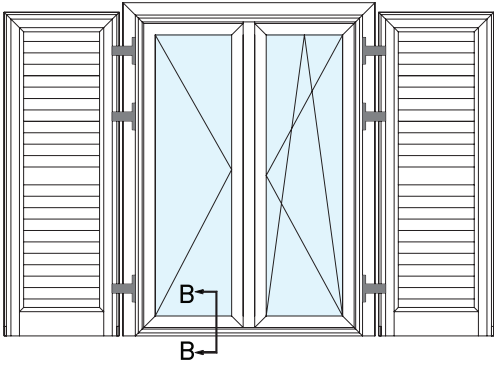
Section B-B
scale 1:1



Outside --|--Inside

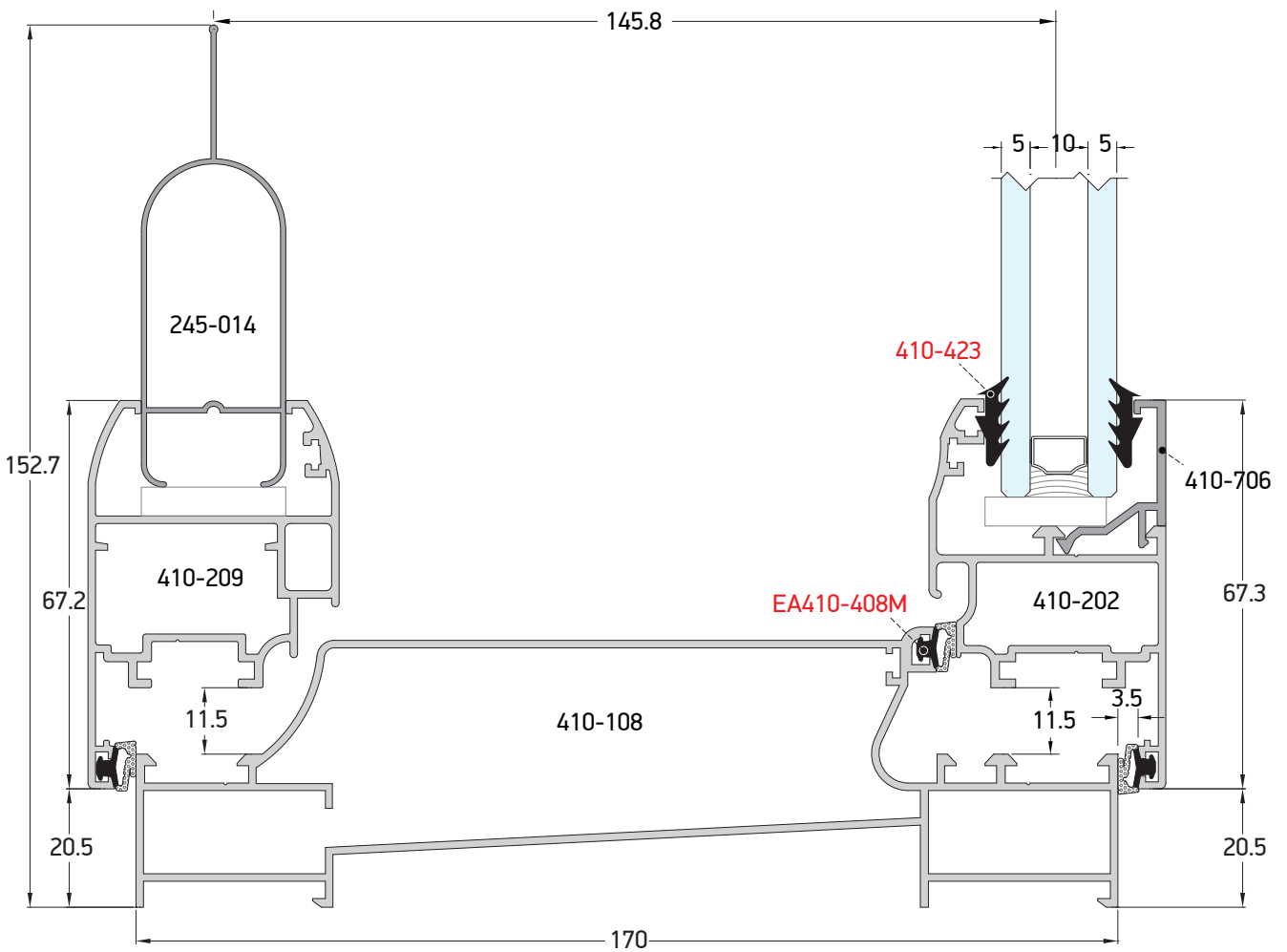
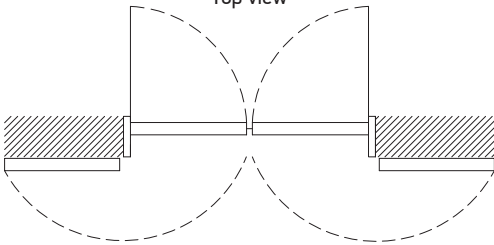


Front view



Section B-B
scale 1:1,25

Top view

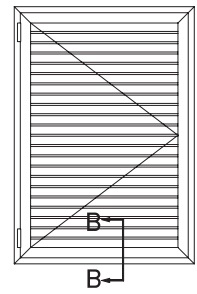


Outside --|--Inside

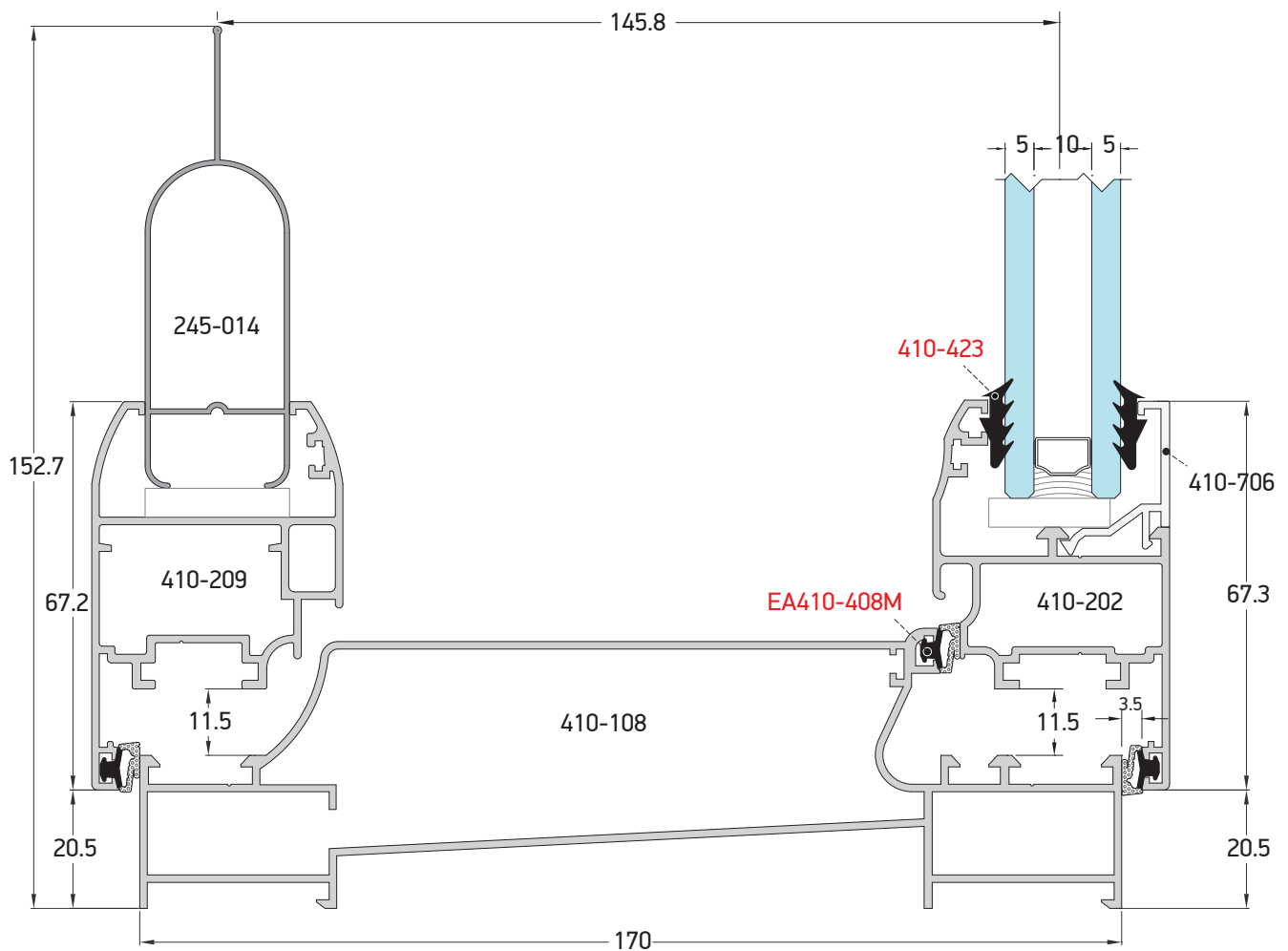
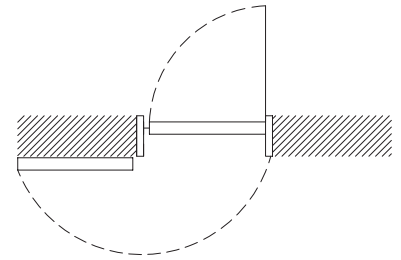
Profiles •
Accessories •

Section B-B
scale 1:1,25

Front view



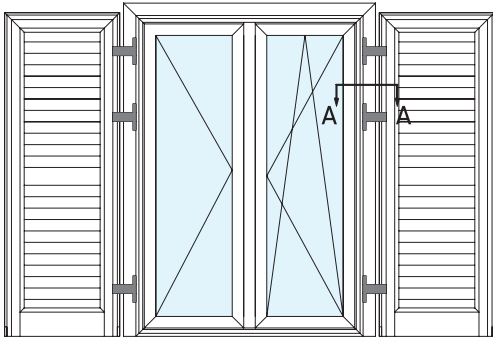
Top view



Outside --|--Inside

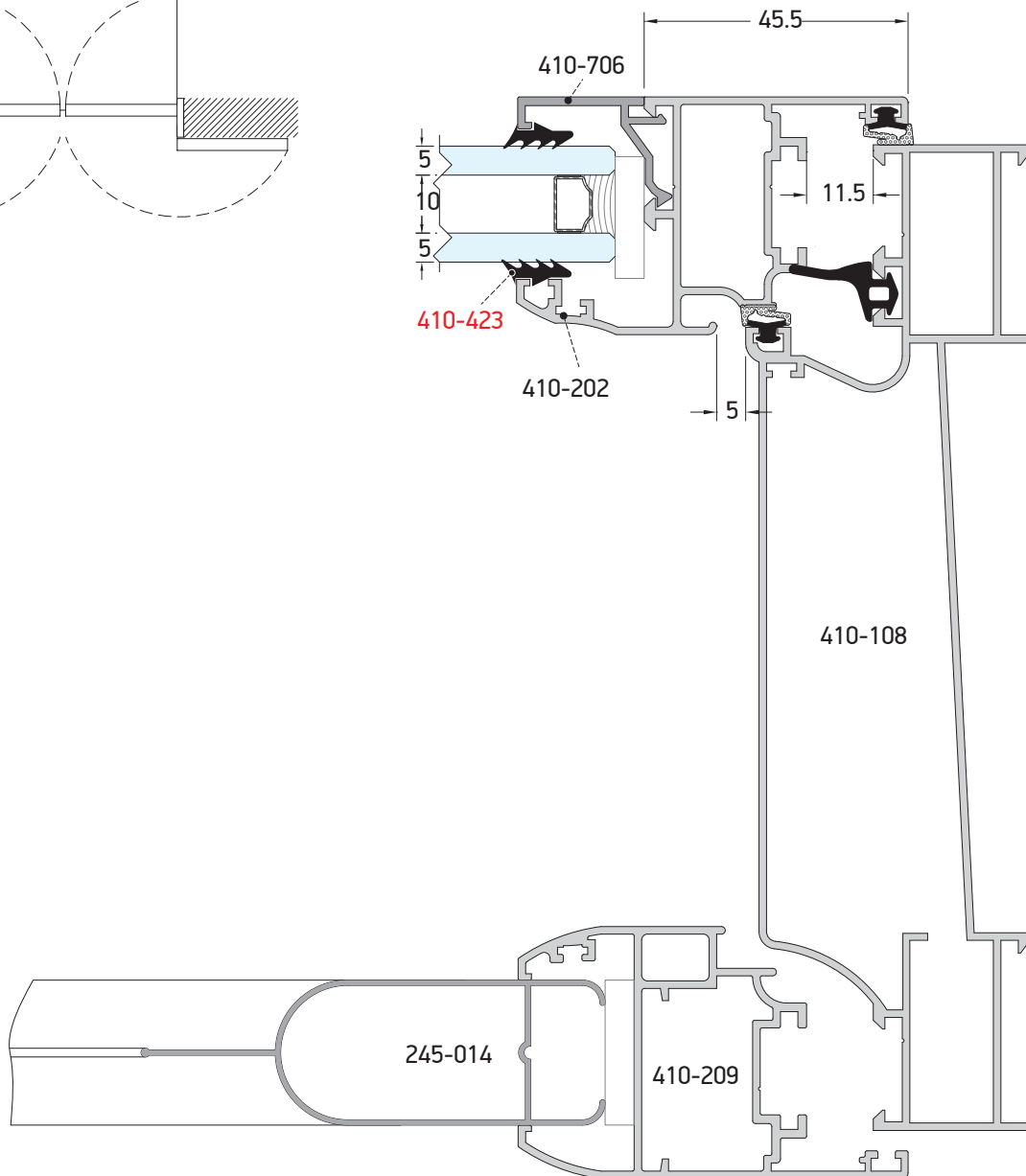
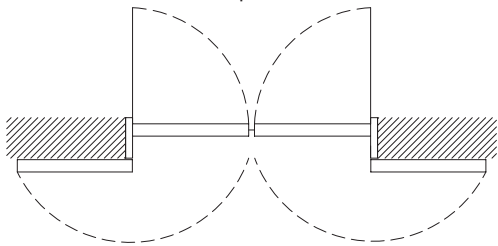
Profiles •
Accessories •

Front view



Section A-A
scale 1:1,25

Top view

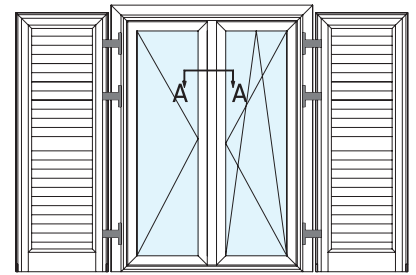


Inside

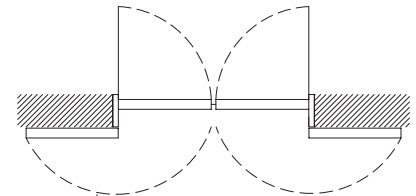
Outside

Profiles •
Accessories •

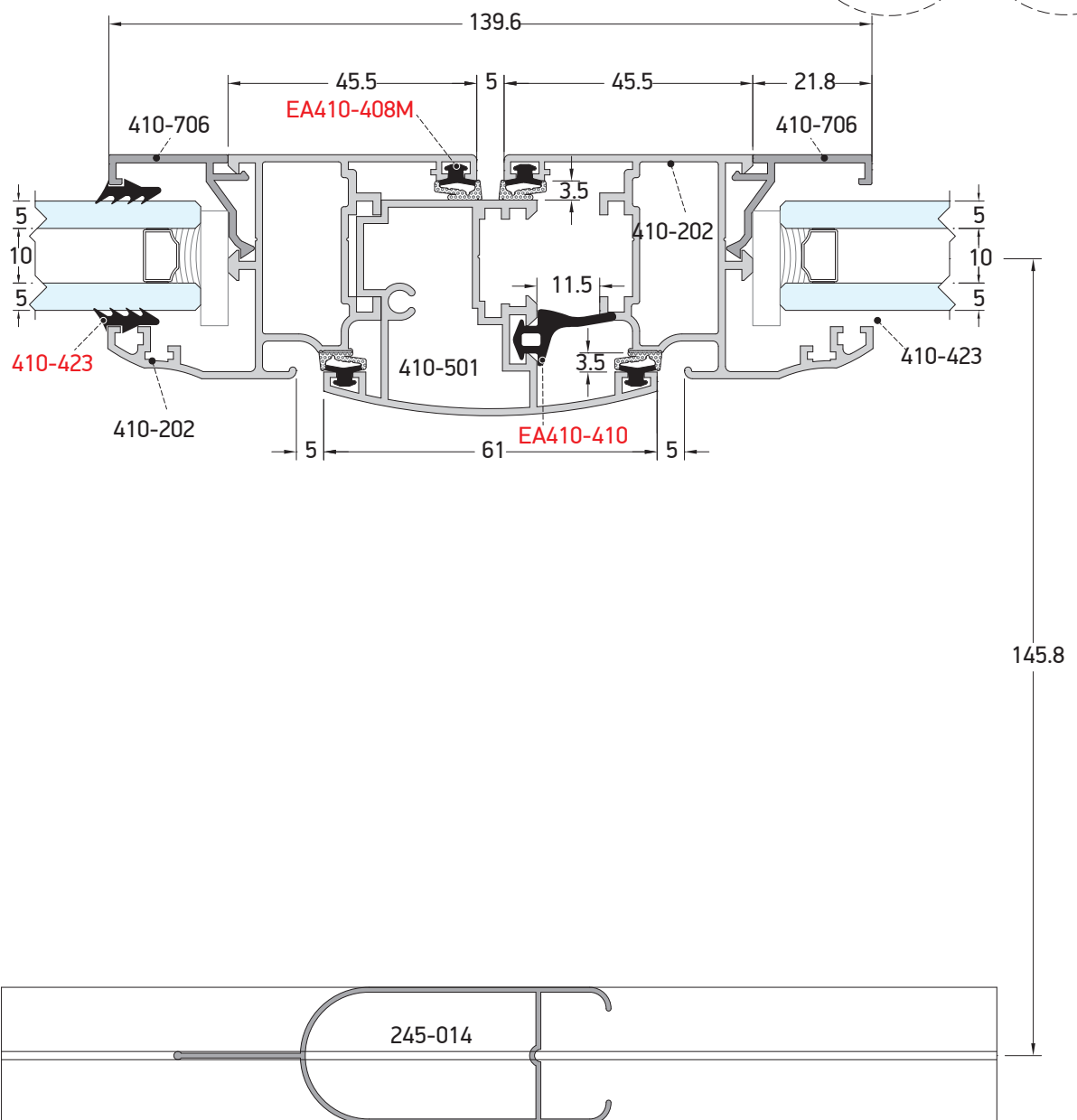
Front view



Top view



Section A-A
scale 1:1,25

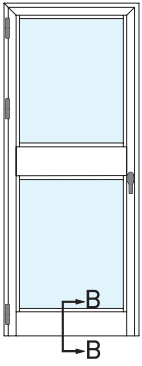


Inside

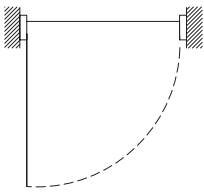
Outside

Profiles •
Accessories •

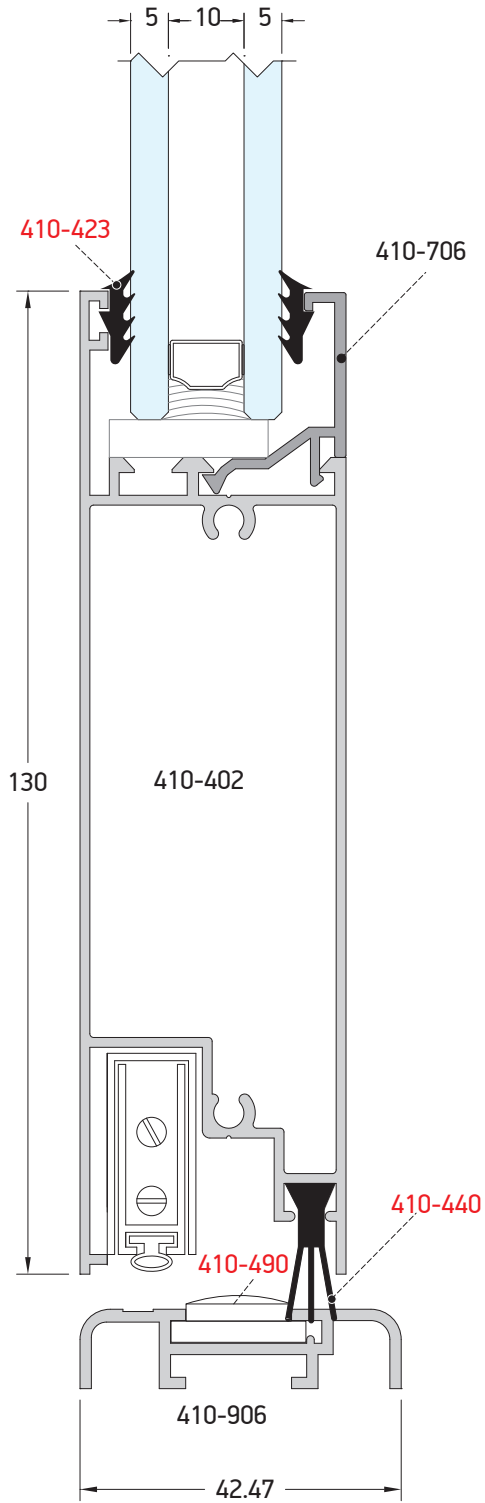
Front view



Top view



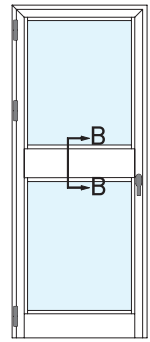
Section B-B
scale 1:1



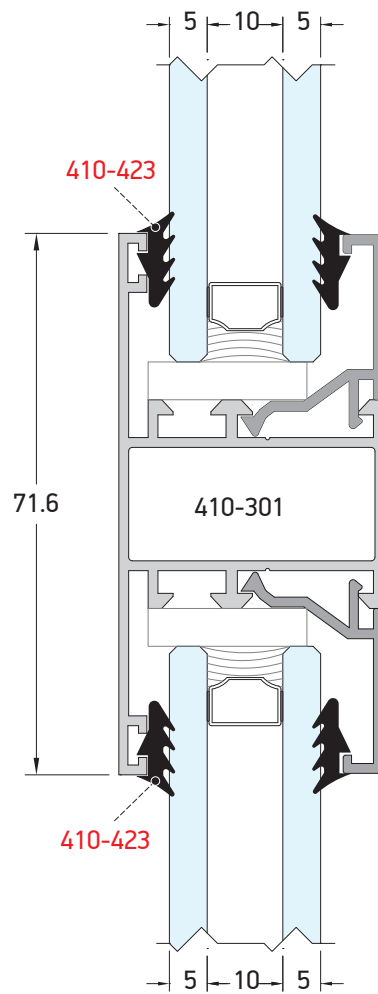
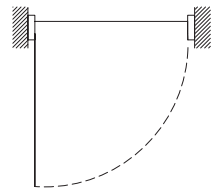
Outside --|--Inside

Section B-B
scale 1:1

Front view

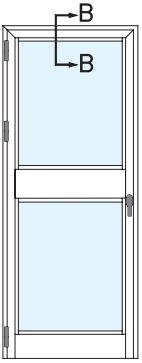


Top view

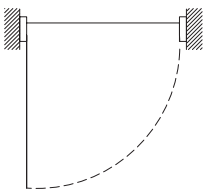


Outside ---|---Inside

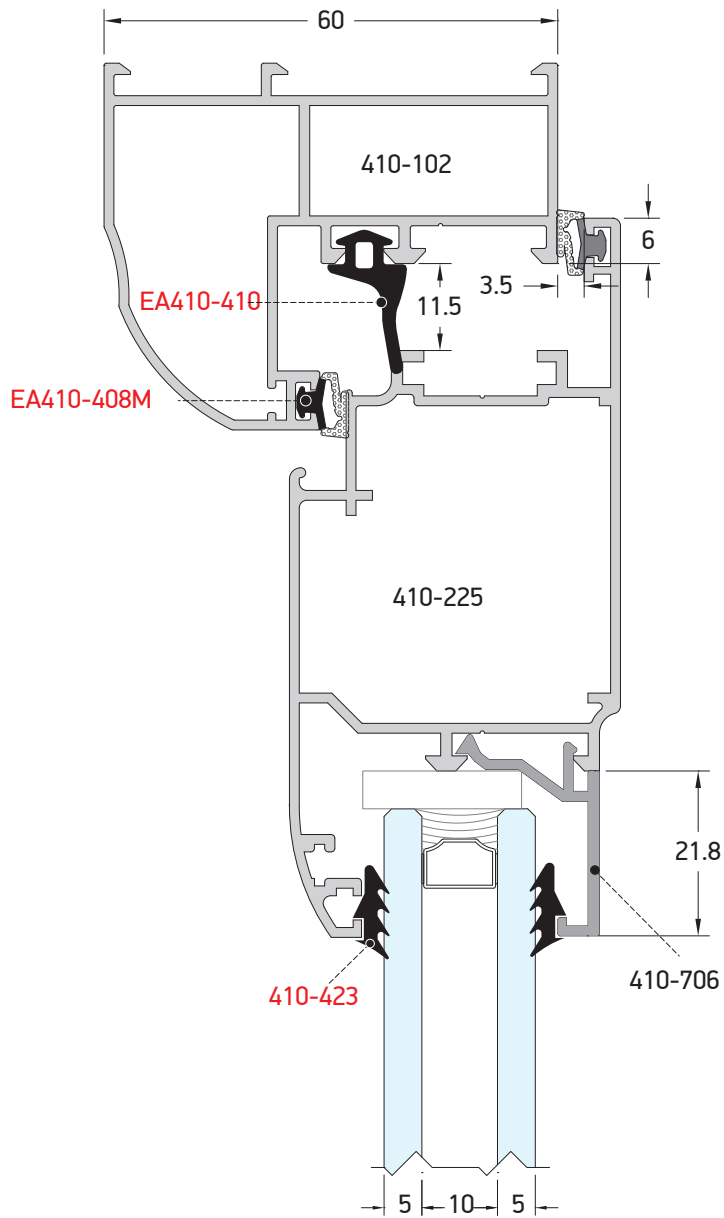
Front view



Top view



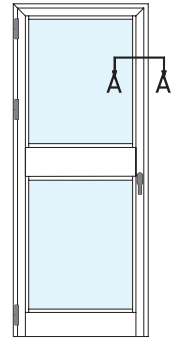
Section B-B
scale 1:1



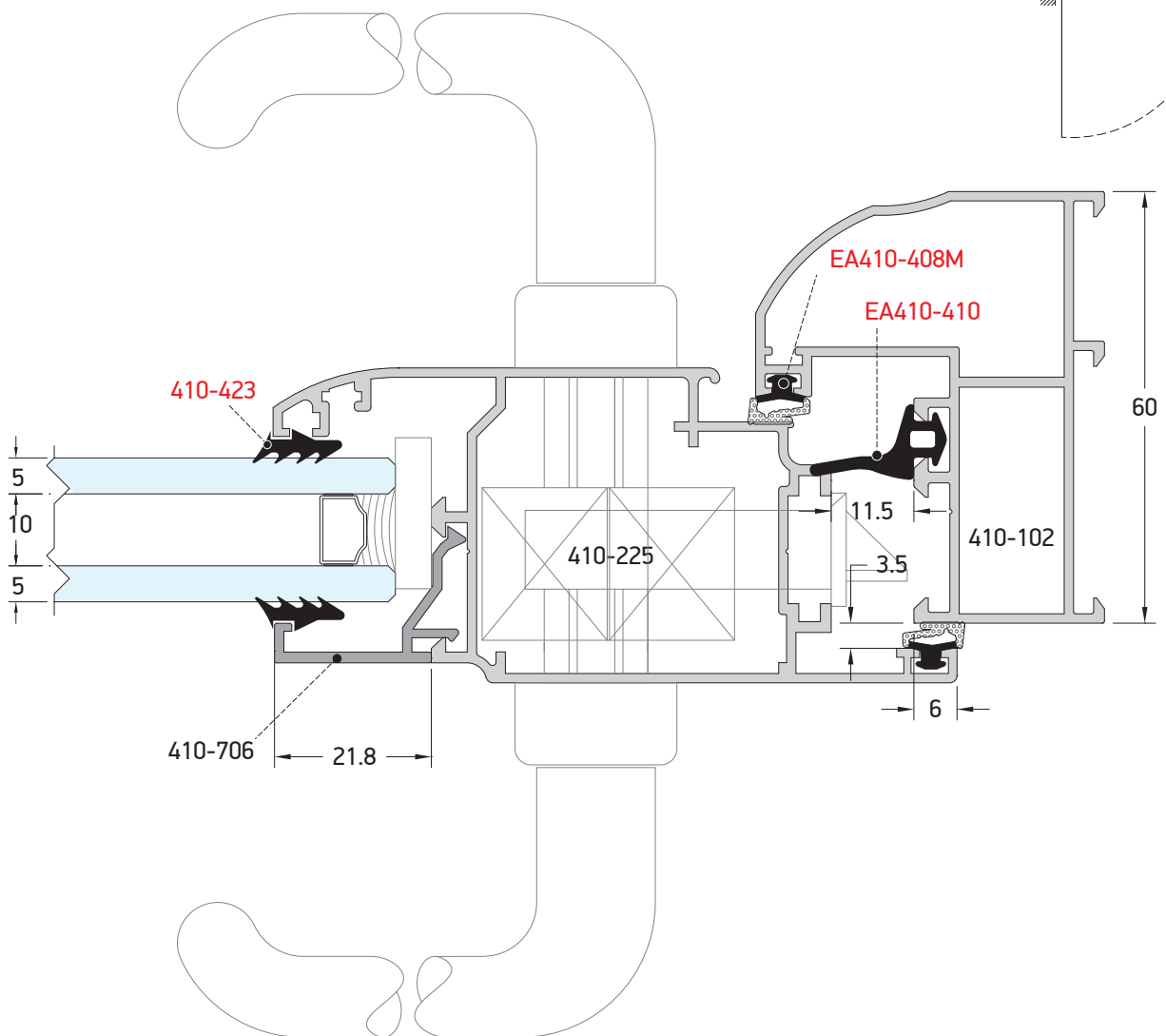
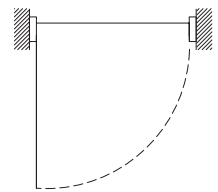
Outside --|--Inside

Section A-A
scale 1:1

Front view



Top view

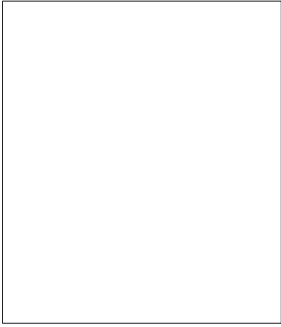


Outside

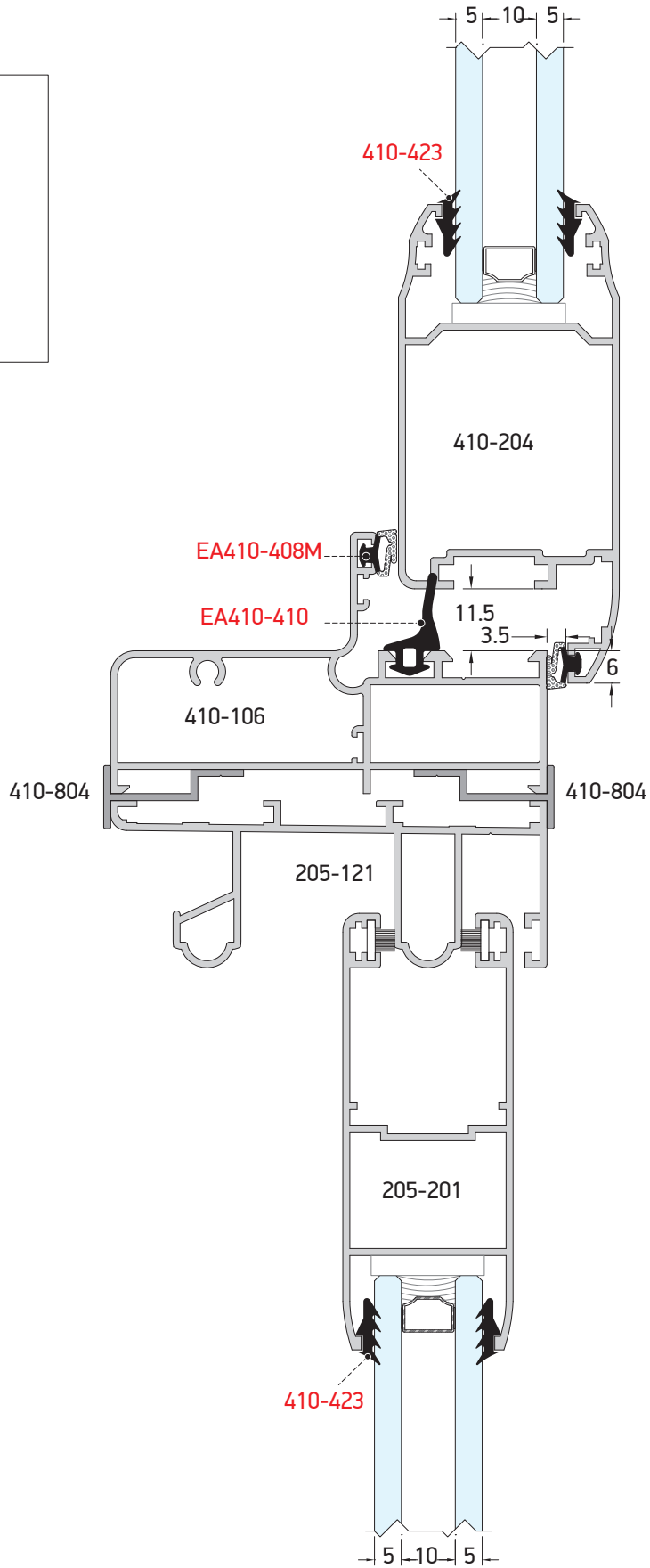
Inside

Profiles •
Accessories •

Front view



Section
scale 1:1,25

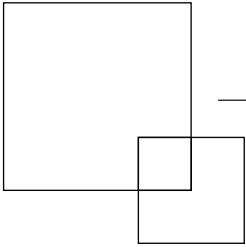


Outside --|--Inside

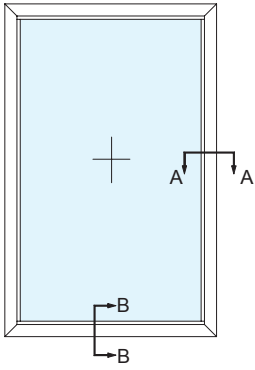
Profiles •
Accessories •

AL 410
ALUMINIUM SYSTEMS

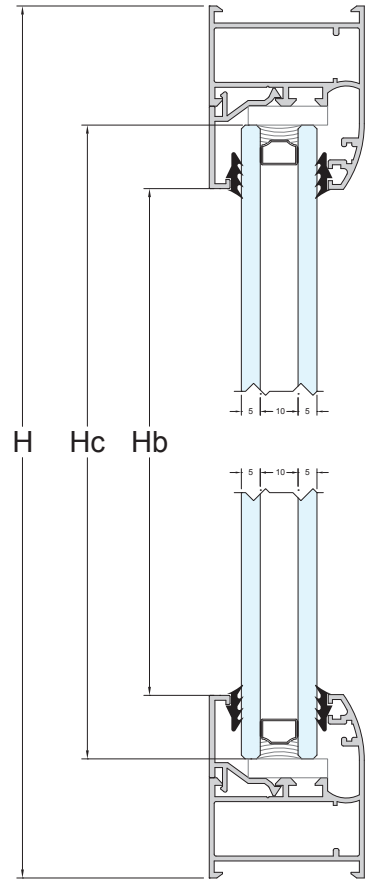
Cutting calculations



Front view



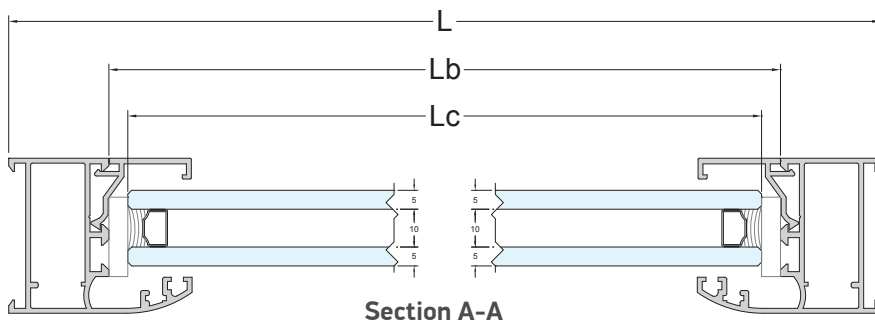
Section B-B



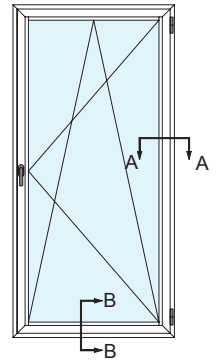
Code	Profile	Length (L)	Height (H)
410-111		 pcs.= 2	 pcs.= 2
410-702		 Lb = L-53 pcs.= 2	 Hb = H-96,6 pcs.= 2
Glass	 pc.= 1	Lc = L-63	Hc = H-63

L	Frame length
Lb	Adapter length
Lc	Glass length
Le	Transom width

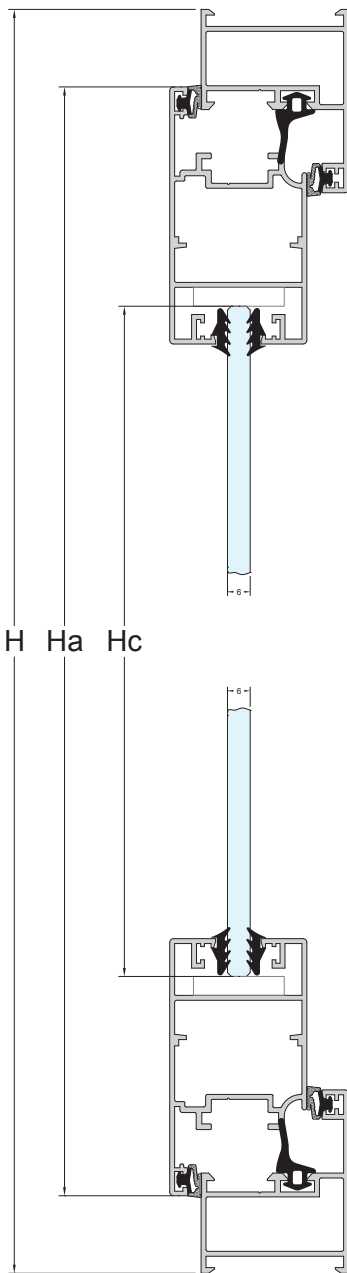
H	Frame height
Hb	Adapter height
Hc	Glass height



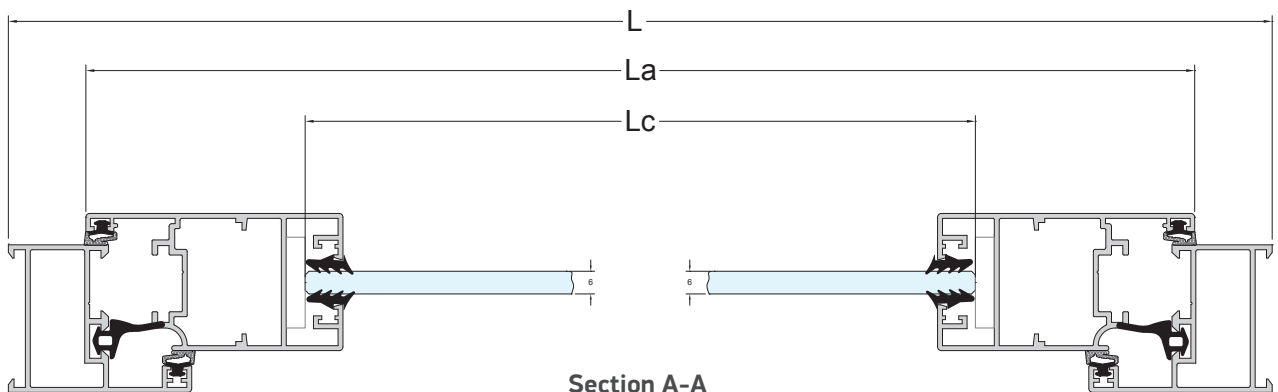
Front view



Section B-B

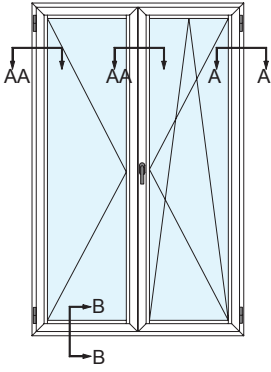


Code	Profile	Length (L)	Height (H)
410-112		 pcs.= 2	 pcs.= 2
410-212		 Lb = L-41 pcs.= 2	 Hb= H-41 pcs.= 2
Glass	 pc.= 1	Lc = L-157	Hc = H-157

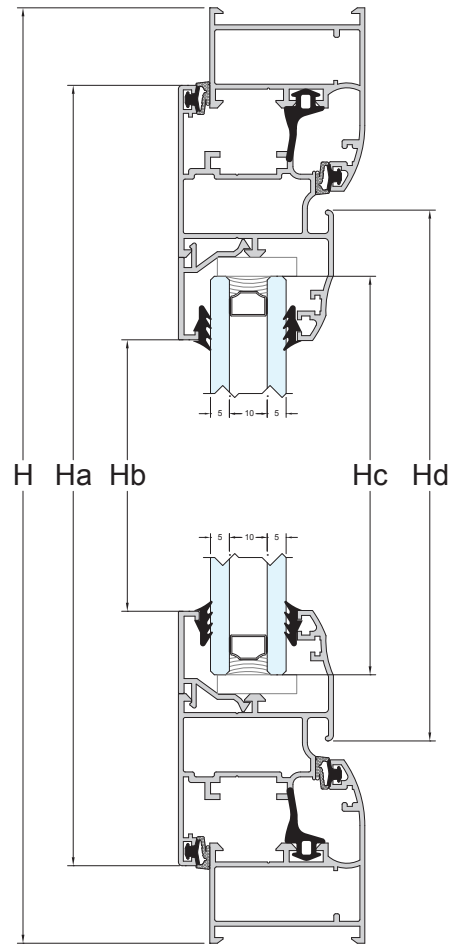


Section A-A

Front view

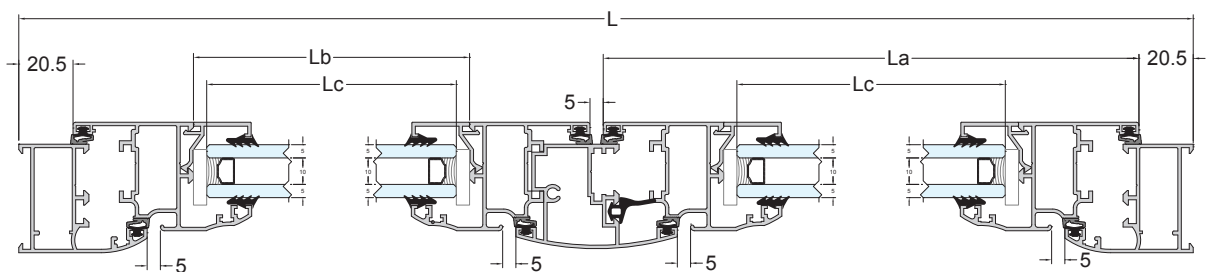


Section BB

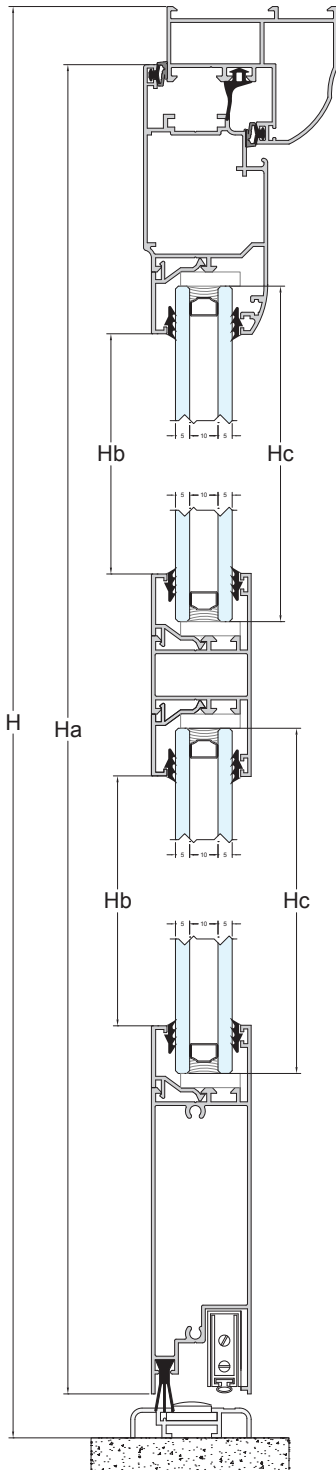


Code	Profile	Length (L)	Height (H)
410-111		 pcs.= 2	 pcs.= 2
410-202		$L_a = (L-46)/2$ pcs.= 4	$H_b = H-41$ pcs.= 4
410-501			$H_b = H-107$ pcs.= 1
410-702		$L_b = (L-228)/2$ pcs.= 4	$H_b = H-175,6$ pcs.= 4
Glass	 pc.= 2	$L_c = (L-248)/2$	$H_c = H-142$

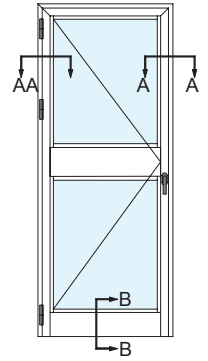
Section AA



Section BB

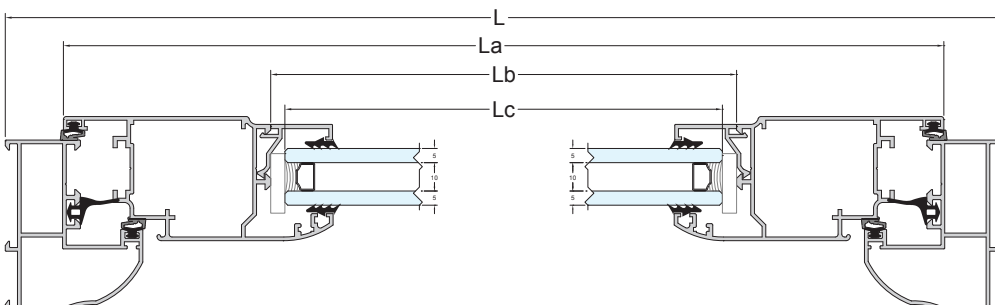


Front view

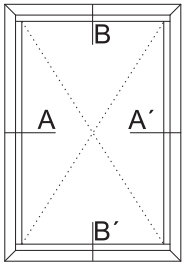


Code	Profile	Length (L)	Height (H)
410-102			
		pcs.= 1	pcs.= 2
410-225			
		pcs.= 1 La=L-41	Hb= H-36 pcs.= 2
410-301			
		Le=Lb=L-187,2 pcs.=1	
410-702			
		Le=Lb=L-187,2 pcs.= 4	Hb= (H-332)/2 pcs.= 4
410-402			
		Le=Lb=L-187,2 pcs.=1	
Glass			
	pc.= 2	Lc = L-197,2	Hc = (H-264,7)/2

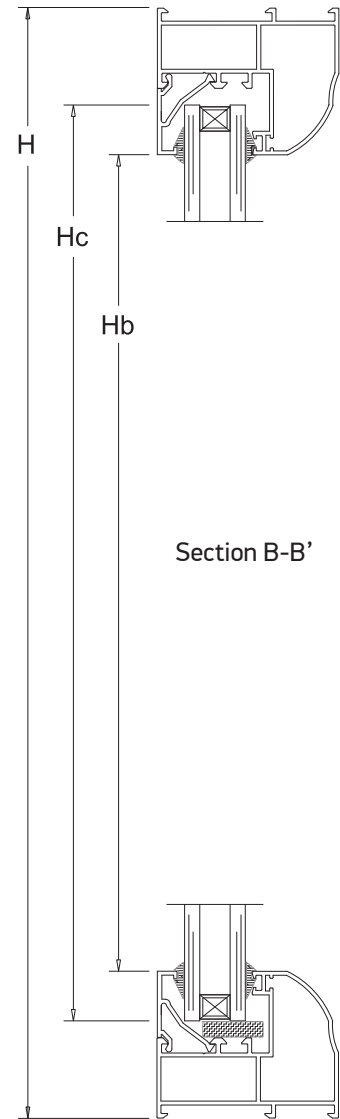
Section AA



Single fixed window

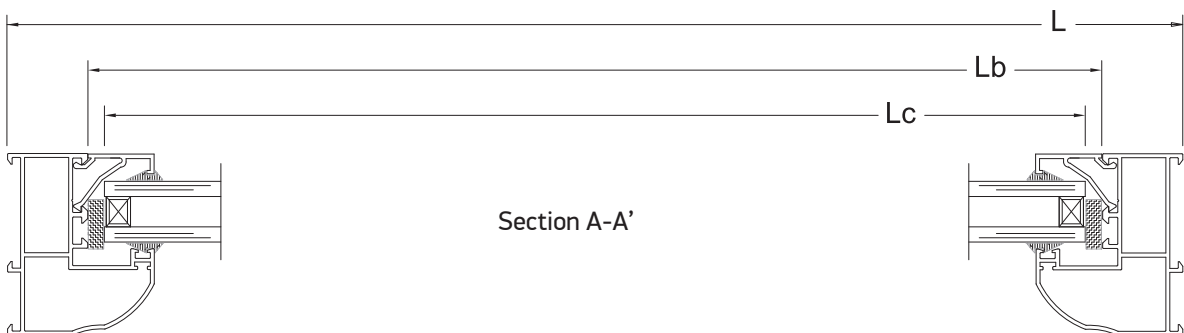


Code	Profile	Length (L)	Height (H)
410-102		 pcs.= 2	 pcs.= 2
410-702		 Lb = L-53 pcs.= 2	 Hb = H-97 pcs.= 2
Glass		Lc = L-63	Hc = H-63

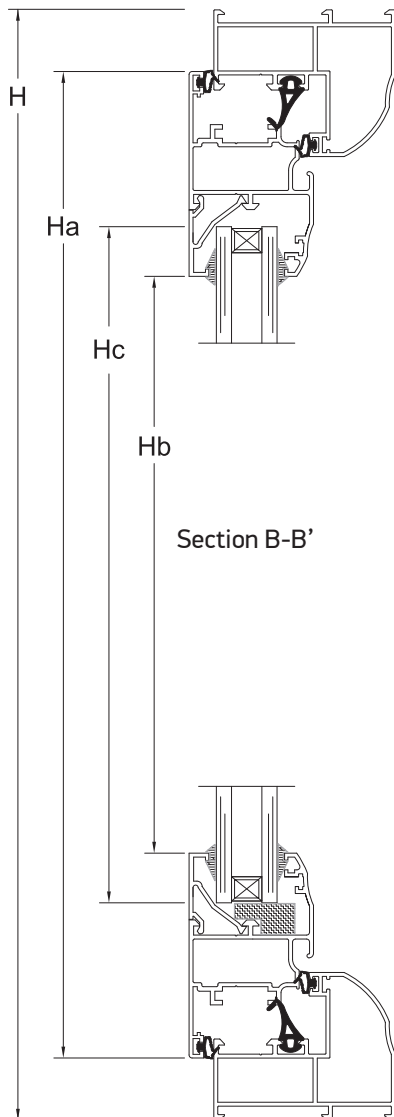
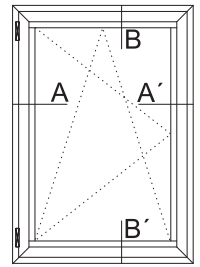


L	Frame length
La	Sash length
Lb	Adapter length
Lc	Glass length
Le	Transom length

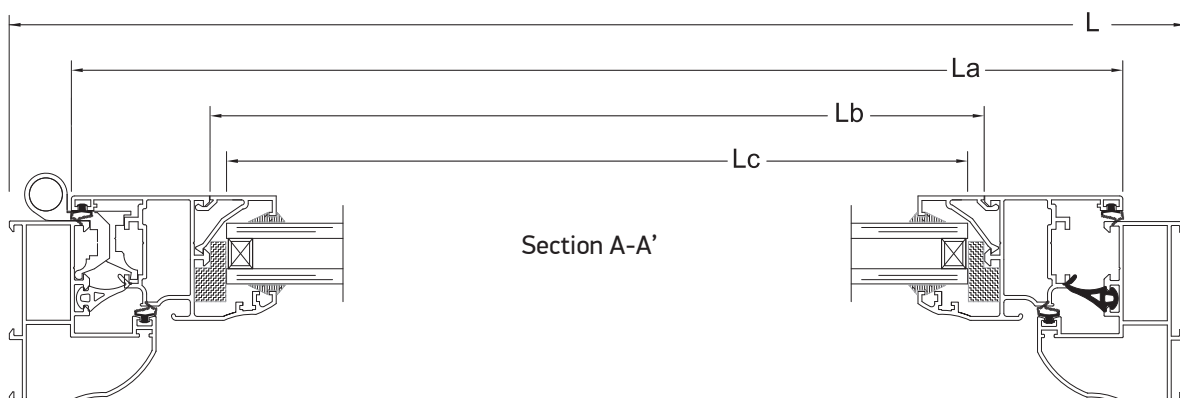
H	Frame height
La	Sash height
Lb	Adapter height
Lc	Glass height
Le	Transom height



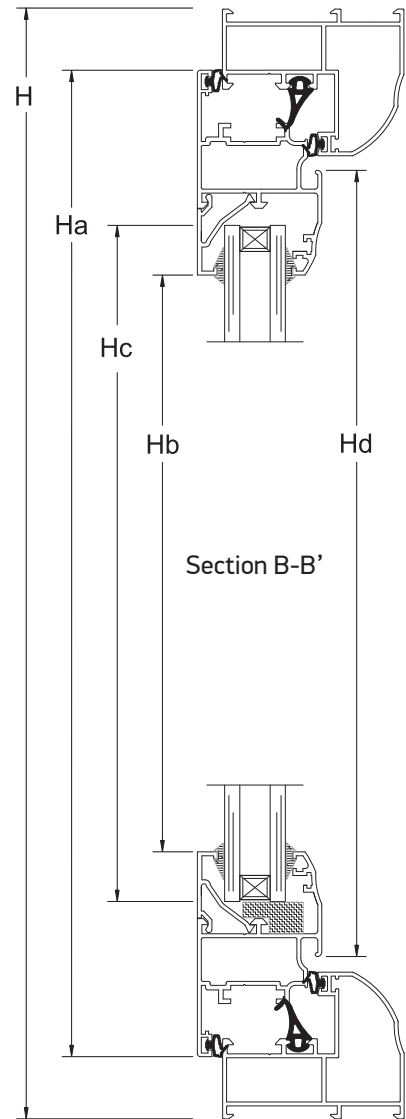
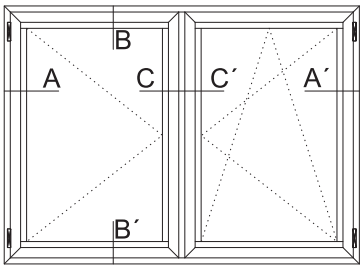
Single opening window



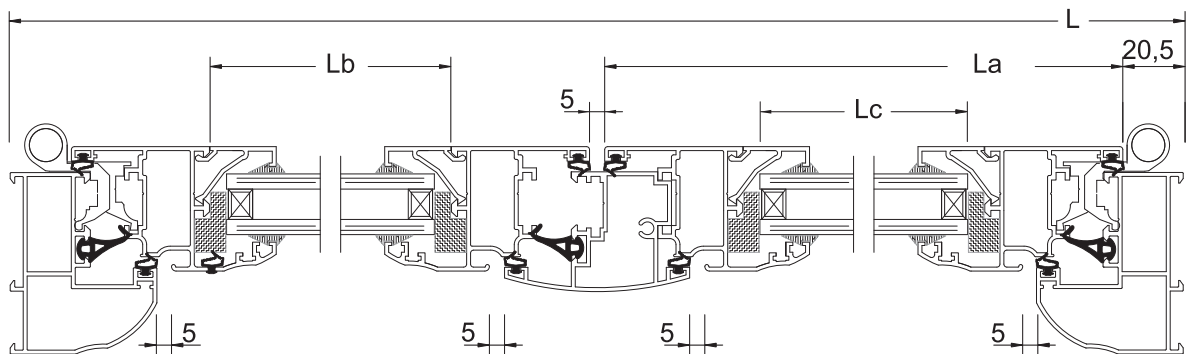
Code	Profile	Length (L)	Height (H)
410-102		 pcs.= 2	 pcs.= 2
410-202		 La = L-41 pcs.= 2	 Ha= H-41 pcs.= 2
410-702		 Lb = L-132 pcs.= 2	 Hb= H-176 pcs.= 2
Glass		pc.= 1 Lc = L-142	Hc = H-142



Double opening window

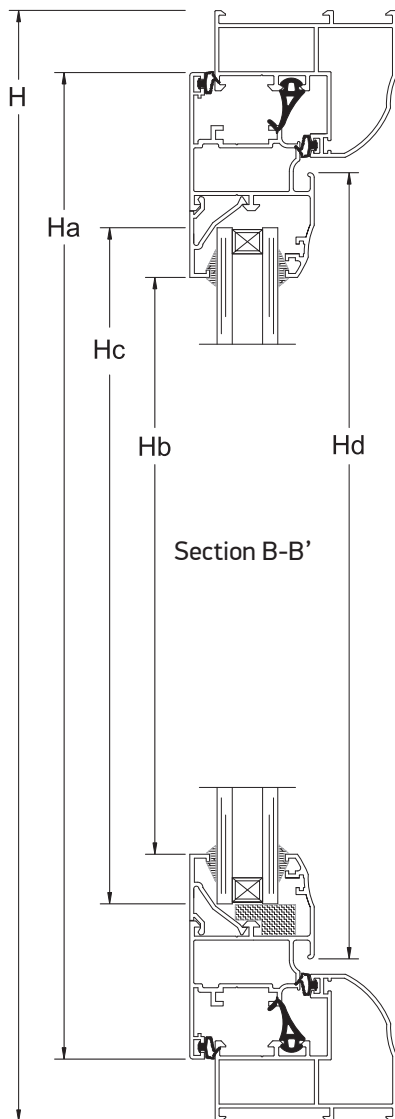
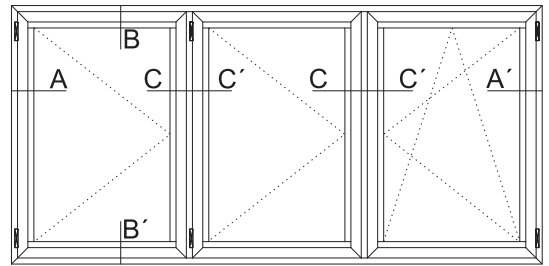


Code	Profile	Length (L)	Height (H)
410-102		 pcs.= 2	 pcs.= 2
410-202		 $La = (L-46):2$ pcs.= 4	 $Ha = H-41$ pcs.= 4
410-501			 $Hb = H-107$ pcs.= 1
410-702		 $Lb = (L-228):2$ pcs.= 4	 $Hb = H-176$ pcs.= 4
Glass	 pc.= 2	$Lc = (L-248):2$	$Hc = H-142$

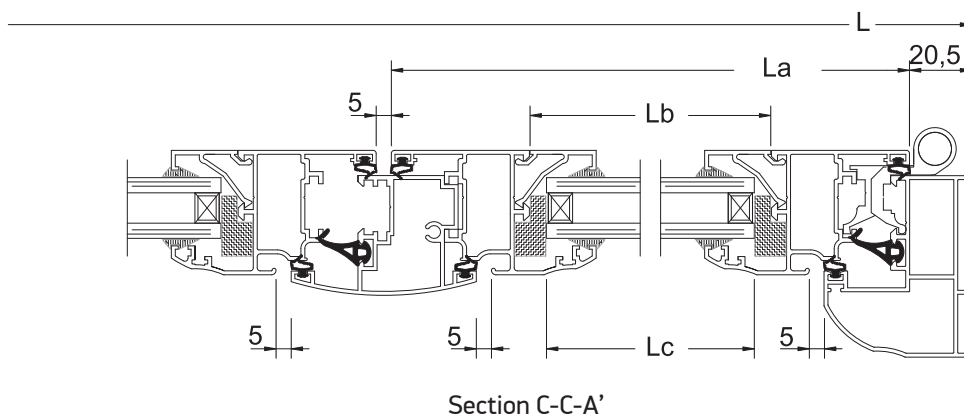


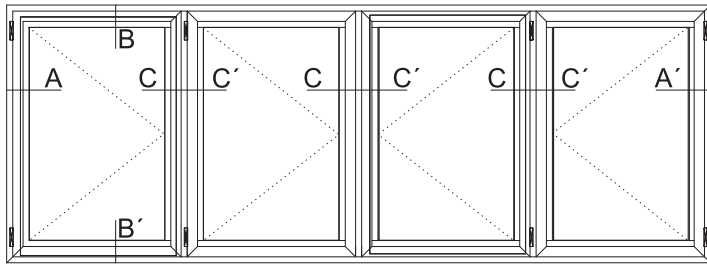
Section A-C-A'

Triple opening window



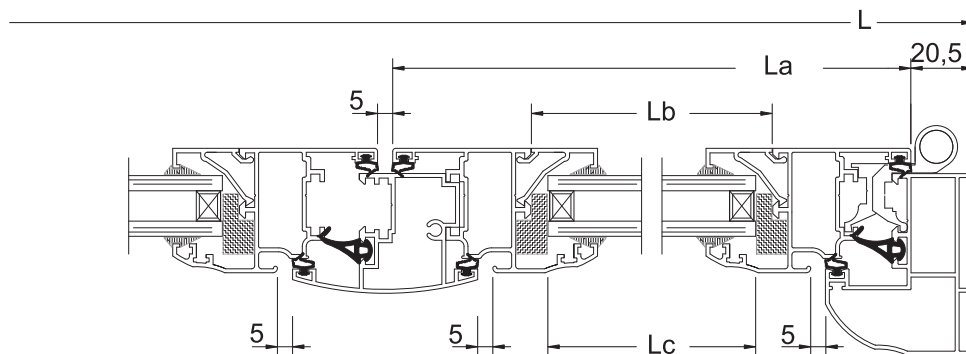
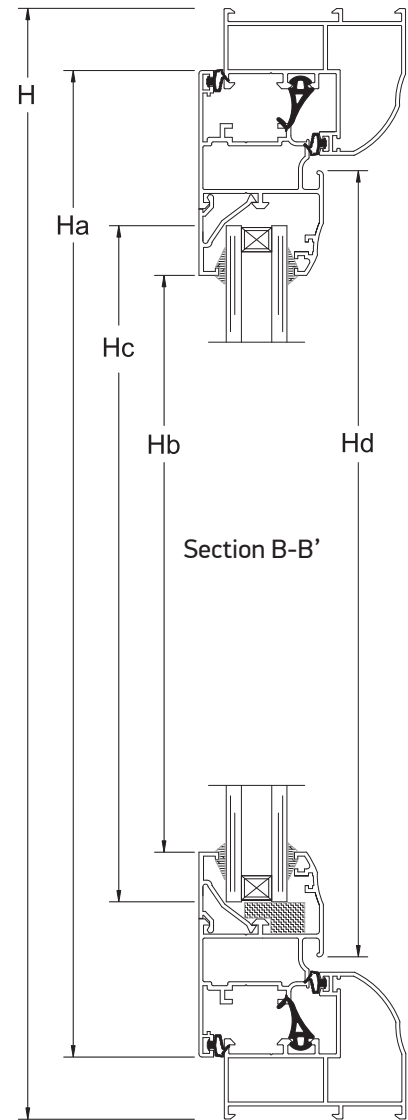
Code	Profile	Length (L)	Height (H)
410-102			
		pcs.= 2	pcs.= 2
410-202			
		La = (L-51):3 pcs.= 6	Ha= H-41 pcs.= 6
410-501			
			Hb= H-107 pcs.= 2
410-702			
		Lb = (L-324):3 pcs.= 6	Hb= H-176 pcs.= 6
Glass			
	pc.= 3	Lc = (L-354):2	Hc = H-142





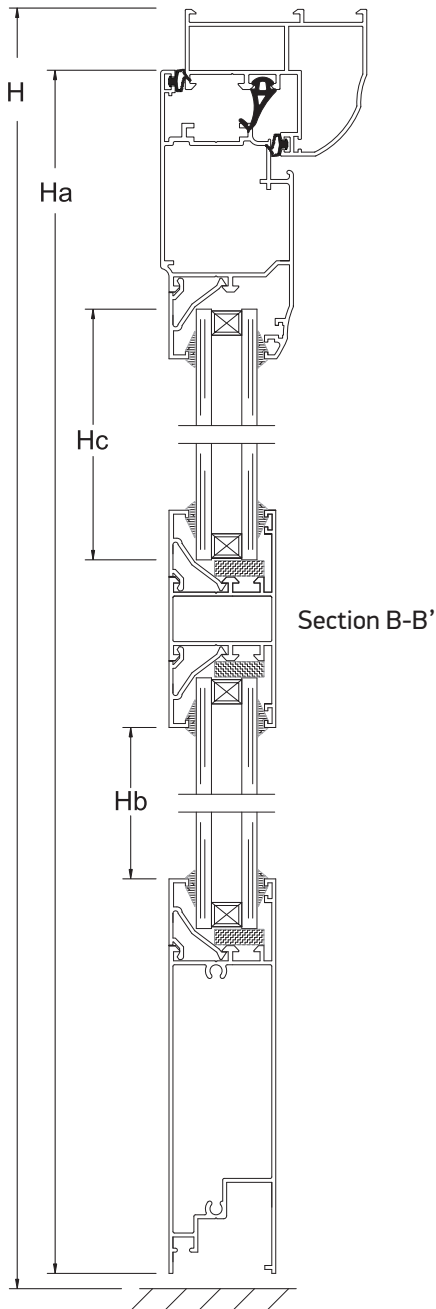
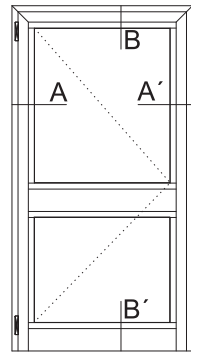
Quad opening window

Code	Profile	Length (L)	Height (H)
410-102		 pcs.= 2	 pcs.= 2
410-202		 $La = (L-56):4$ pcs.= 8	 $Ha = H-41$ pcs.= 8
410-501			 $Hb = H-107$ pcs.= 3
410-702		 $Lb = (L-420):4$ pcs.= 8	 $Hb = H-176$ pcs.= 8
Glass	 pc.= 4	$Lc = (L-460):4$	$Hc = H-142$



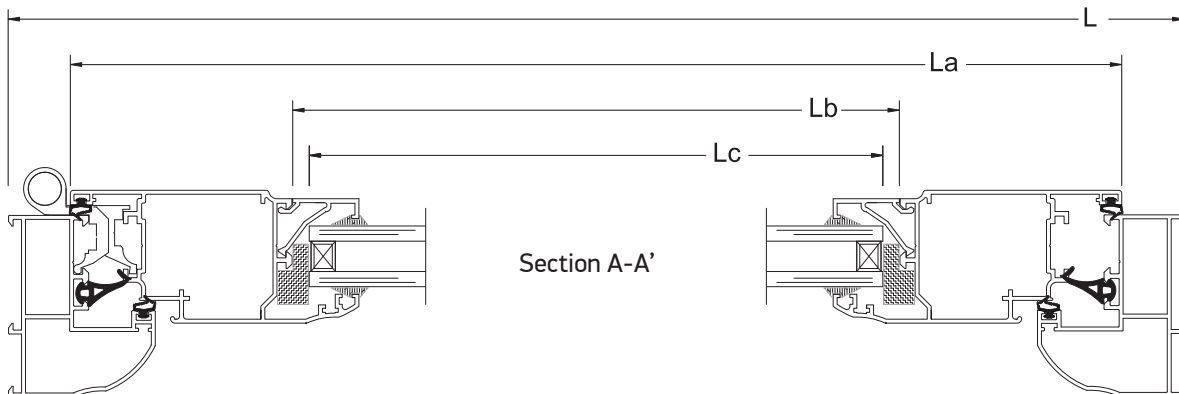
Section C-C-A'

Single opening door

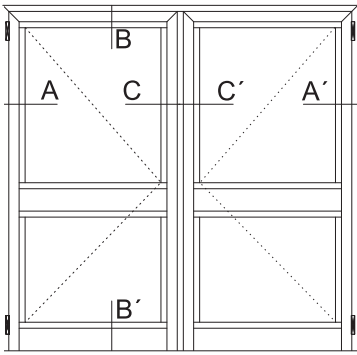


Code	Profile	Length (L)	Height (H)
410-102		pcs.= 1	pcs.= 2
410-205		La = L-41 pcs.= 1	Ha= H-26 pcs.= 2
410-301		*Le = L-187 pcs.= 1	
410-402		*Le = L-187 pcs.= 1	
410-702		Lb = L-187 pcs.= 4	pcs.= 4
Glass		pc.= 2	
		Lc = L-197	

*Le = Lb

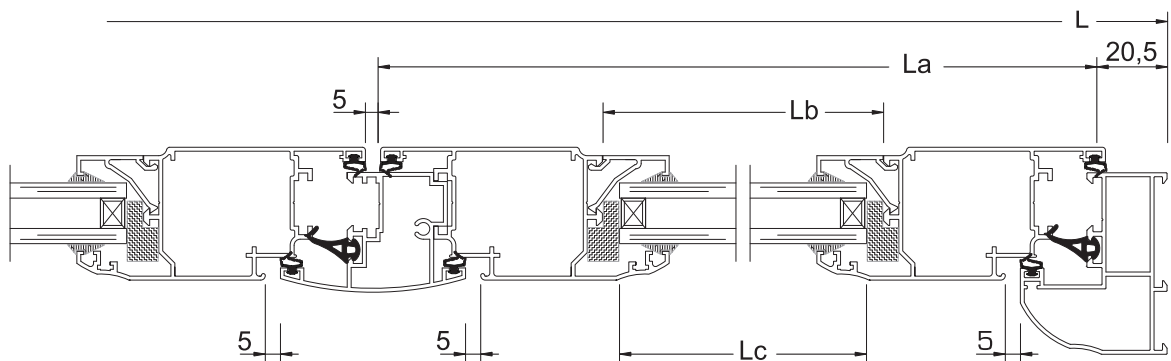
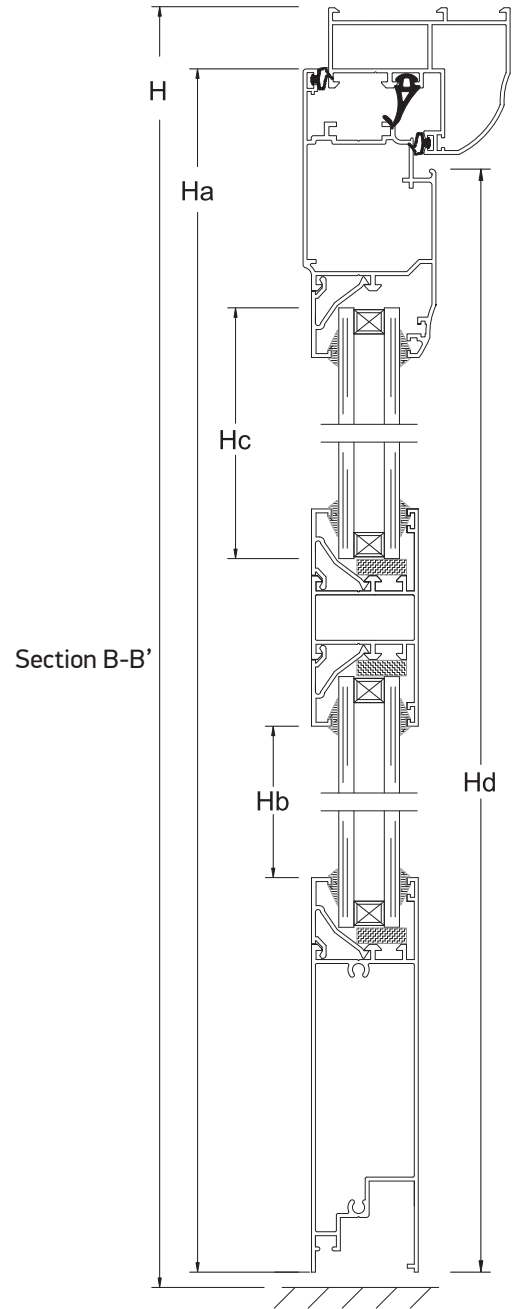


Double opening door



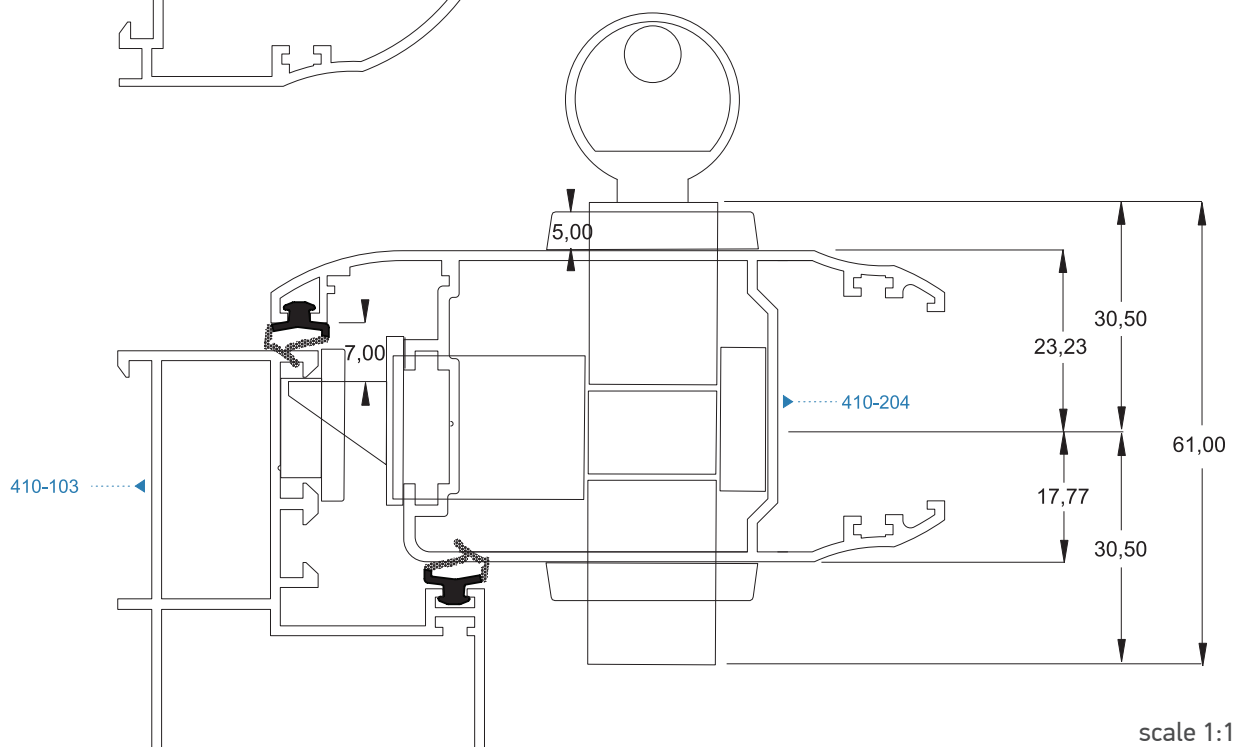
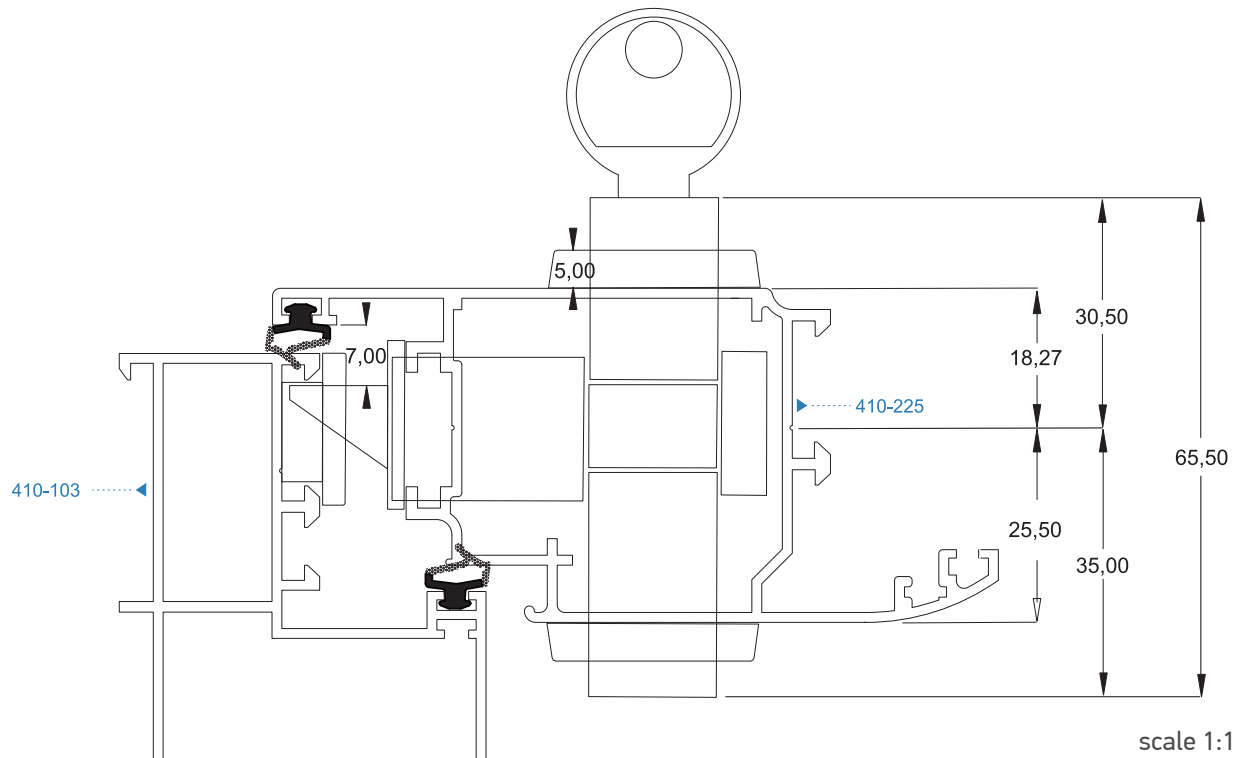
Code	Profile	Length (L)	Height (H)
410-102		pcs.= 1	pcs.= 2
410-205		$La = (L-46):2$ pcs.= 1	$Ha = H-26$ pcs.= 4
410-501			$Hb = H-59$ pcs.= 1
410-301		$*Le = (L-338):2$ pcs.= 2	
410-402		$*Le = (L-338):2$ pcs.= 2	
410-702		$Lb = (L-339):2$ pcs.= 8	pcs.= 8
Glass		$Lc = (L-358):2$	pc.= 4

*Le = Lb



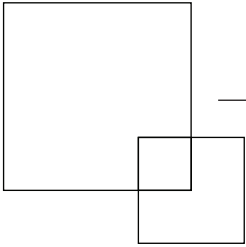
Section C-C'-A'

Settings for Door Lock 35mm



AL 410
ALUMINIUM SYSTEMS

Accessories



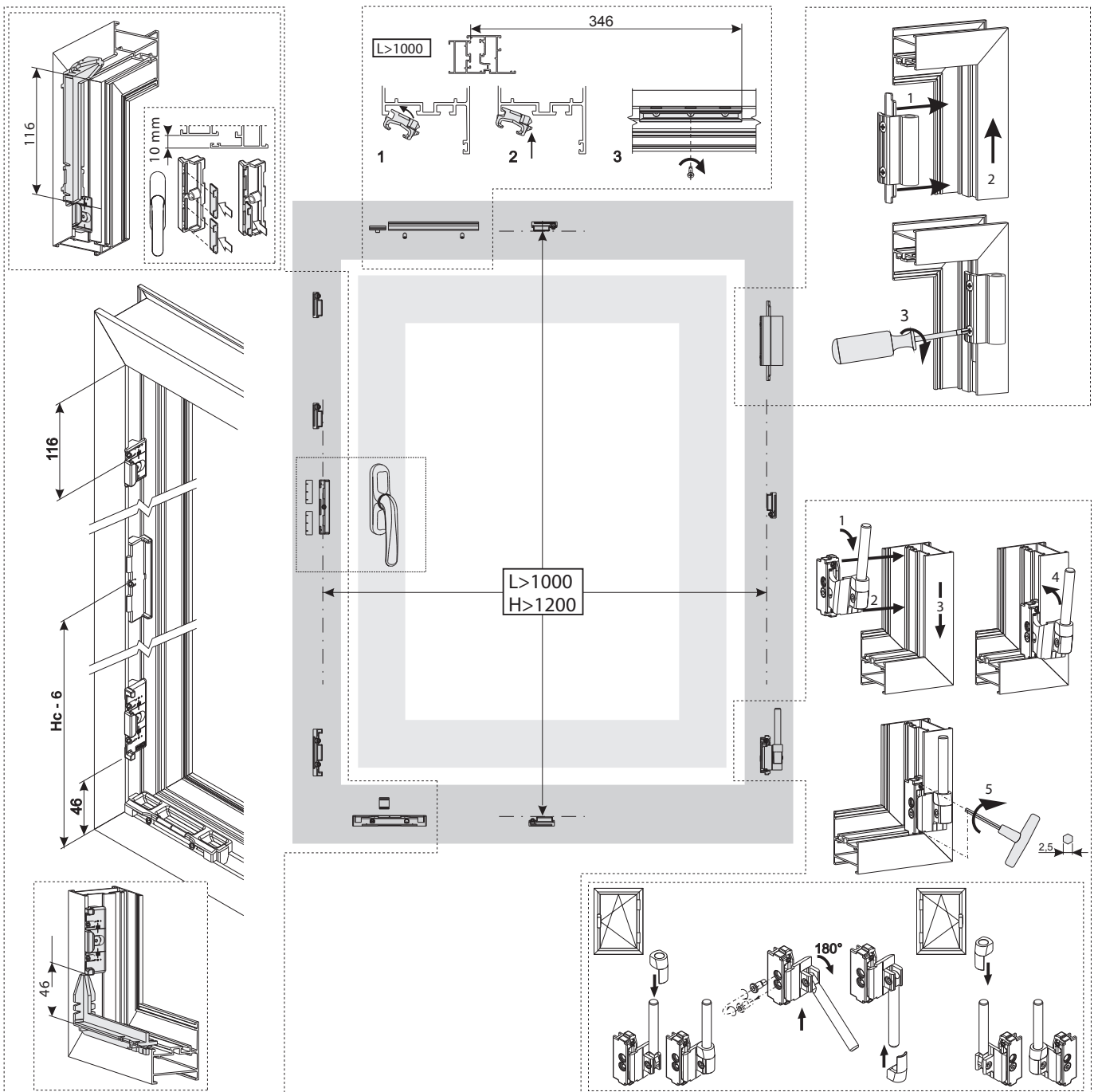
Tilt & Turn Mechanism

Giesse

Sash height	2500	100	100	100	100	100	100	100	100	100	100	100	100	100	100	100
	2400	100	100	100	100	100	100	100	100	100	100	100	100	100	100	100
	2300	100	100	100	100	100	100	100	100	100	100	100	100	100	100	100
	2200	100	100	100	100	100	100	100	100	100	100	100	100	100	100	100
	2100	100	100	100	100	100	100	100	100	100	100	100	100	100	100	100
	2000	100	100	100	100	100	100	100	100	100	100	100	100	100	100	100
	1900	100	100	100	100	100	100	100	100	100	100	100	100	100	100	100
	1800	100	100	100	100	100	100	100	100	100	100	100	100	100	100	100
	1700	100	100	100	100	100	100	100	100	100	100	100	100	100	96	96
	1600	100	100	100	100	100	100	100	100	100	100	100	100	100	97	91
	1500	100	100	100	100	100	100	100	100	100	100	100	100	97	91	86
	1400	100	100	100	100	100	100	100	100	100	100	98	91	85	80	80
	1300	100	100	100	100	100	100	100	100	99	91	85	79	74	74	75
	1200	100	100	100	100	100	99	91	84	78	73					
	1100	100	100	100	100	100	91	83	77	72						
	1000	100	100	100	100	91	83	76	70							
900	100	100	100	100	91	82	74	68								
800	100	100	100	91	81	73	66									
700	100	100	91	80	71	64										
600	100	100	91	80	71	64										
390	500	600	700	800	900	1000	1100	1200	1300	1400	1500	1600	1700			
	Sash width															

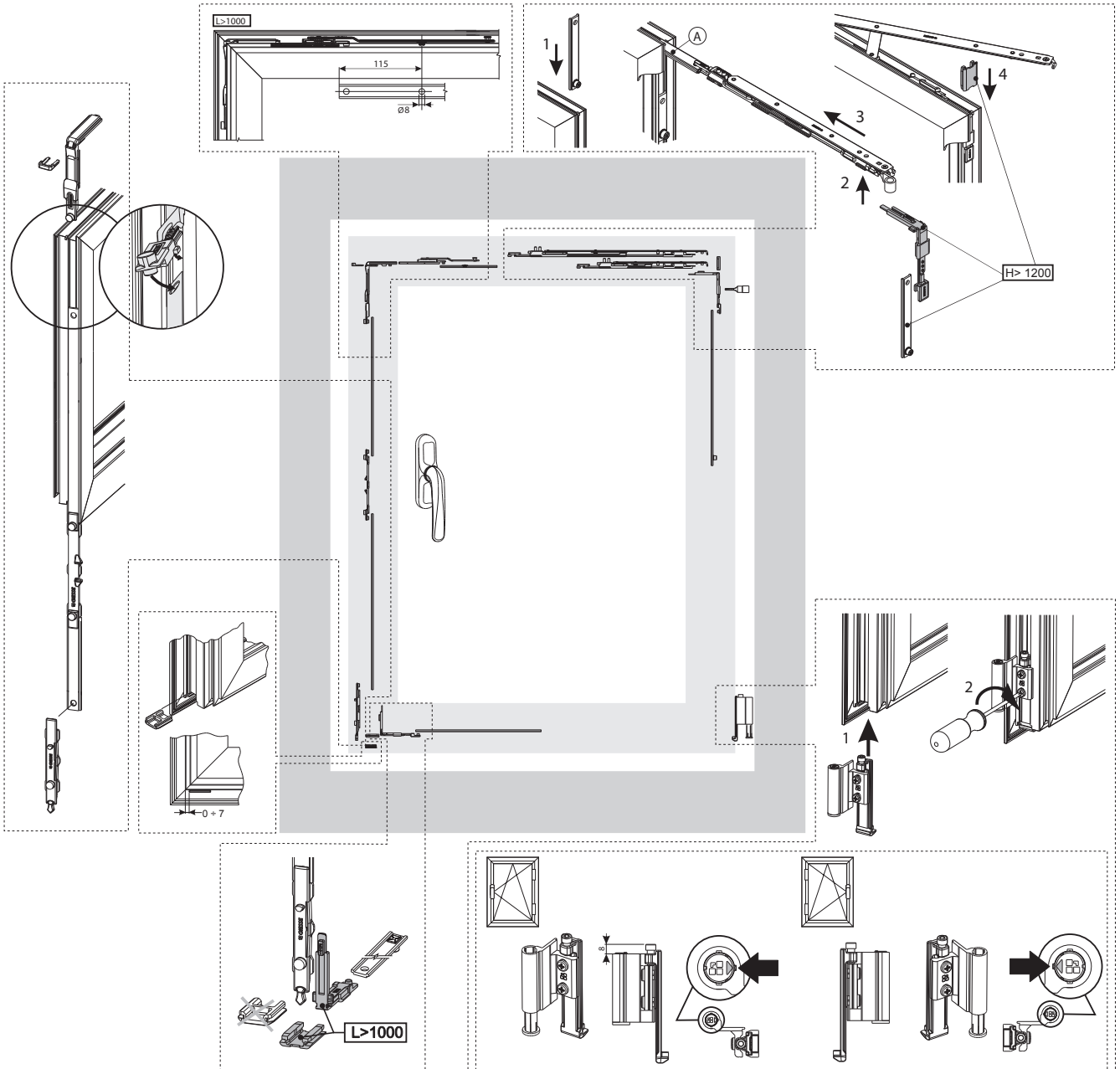
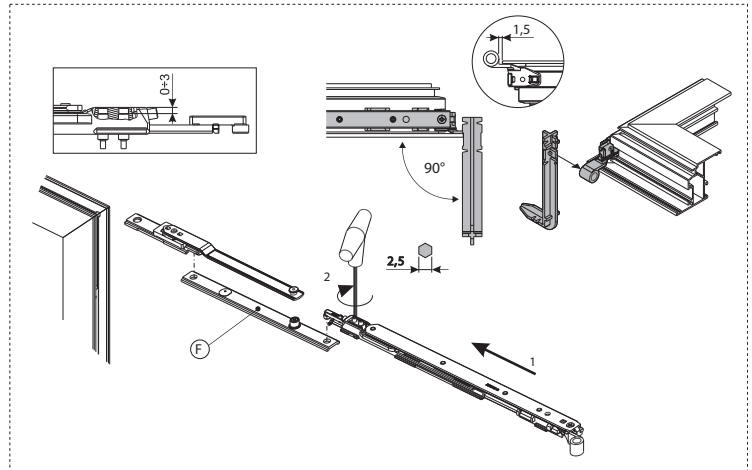
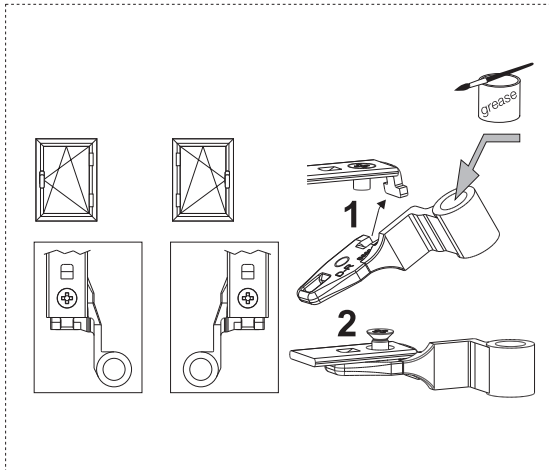
Maximum sash weight
(aluminum and glass)

Not feasible



Tilt & Turn Mechanism

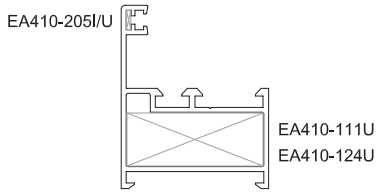
Giesse



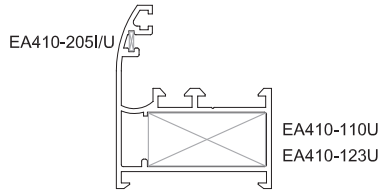
Accessories

Corner joints

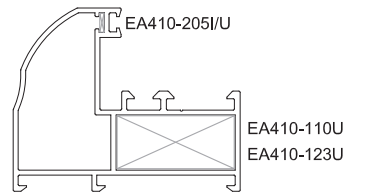
410-112



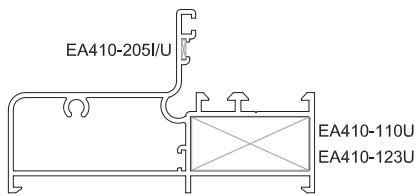
410-111



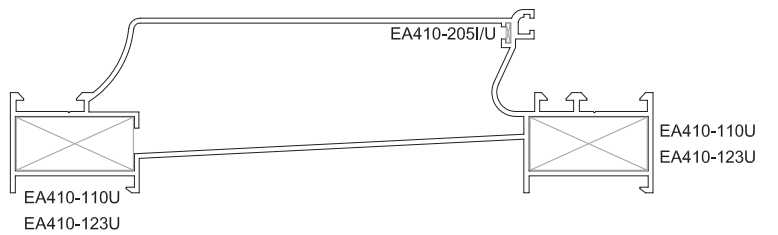
410-102



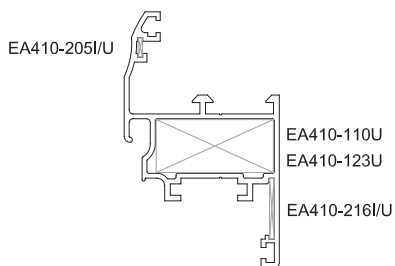
410-106



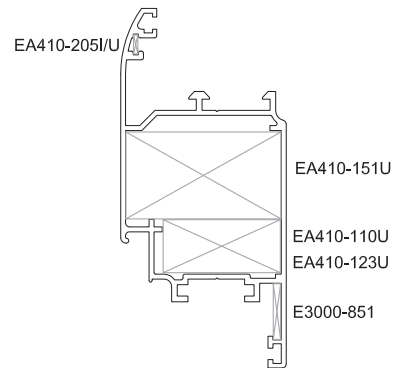
410-108



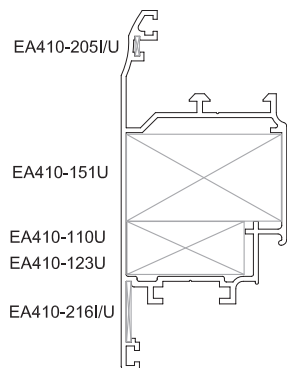
410-202



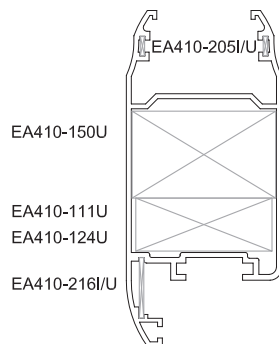
410-225



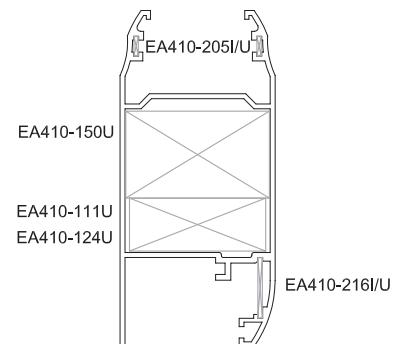
410-207



410-204



410-401



Accessories

Corner joints

	<p>Code: EA410-111U</p>	<p>Description CORNER JOINT 35,9x13,9mm</p> <p>Package: 250 pc</p>
	<p>Code: EA410-124U</p>	<p>Description CORNER JOINT 35,5x14mm</p> <p>Package: 100 pc</p>
	<p>Code: EA410-110U</p>	<p>Description CORNER JOINT 31x15mm</p> <p>Package: 250 pc</p>
	<p>Code: EA410-123U</p>	<p>Description CORNER JOINT 30,5x14mm</p> <p>Package: 100 pc</p>
	<p>Code: EA410-150UA</p>	<p>Description ADDITIONAL CORNER 38x23mm</p> <p>Package: 50 pc</p>
	<p>Code: EA410-151UA</p>	<p>Description ADDITIONAL CORNER 40,6x23mm</p> <p>Package: 50 pc</p>
	<p>Code: EA410-205 I/U</p>	<p>Description ALIGNMENT CORNER 5mm I=Inox U=Galvanized</p> <p>Package: 2000 pc</p>
	<p>Code: EA410-216 I/U</p>	<p>Description ALIGNMENT CORNER 16mm I=Inox U=Galvanized</p> <p>Package: 2500 pc</p>
	<p>Code: E3000-851M</p>	<p>Description ALIGNMENT CORNER PLASTIC (012)</p> <p>Package: 100 pc</p>




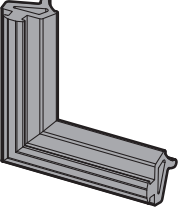
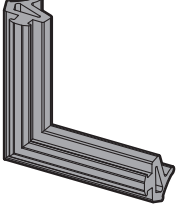
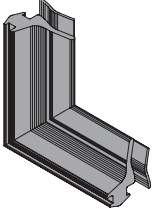
Accessories

Gaskets

	<p>Code: EA410-400M2</p>	<p>Description EPDM GASKET FOR FRAMES & SASHES</p> <p>Package: 2x230 m</p>
	<p>Code: EA410-408M</p>	<p>Description EPDM GASKET FOR FRAMES & SASHES</p> <p>Package: 250 m</p>
	<p>Code: EA410-410</p>	<p>Description CENTRAL GASKET FOR FRAME</p> <p>Package: 120 m</p>
	<p>Code: US540-1PDM</p>	<p>Description GLAZING GASKET 3mm</p> <p>Package: 200 m</p>
	<p>Code: EA410-412M</p>	<p>Description PVC GASKET</p> <p>Package: 200 m</p>
	<p>Code: EA410-406M</p>	<p>Description PVC GASKET</p> <p>Package: 200 m</p>
	<p>Code: EA410-490M2</p>	<p>Description PVC GASKET FOR FLOOR PROFILE</p> <p>Package: 2x140 m</p>
	<p>Code: EA410-440M</p>	<p>Description PVC GASKET FOR BOTTOM TRANSOM PROFILE</p> <p>Package: 2x150 m</p>
	<p>Code: EA410-441M</p>	<p>Description EPDM GASKET FOR BOTTOM TRANSOM PROFILE</p> <p>Package: 2x240 m</p>

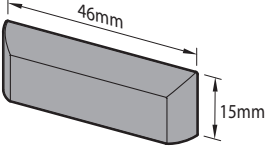
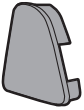
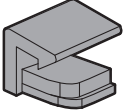
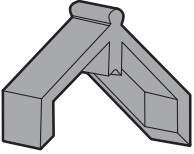
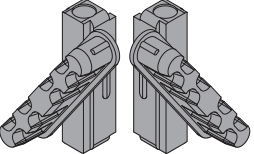
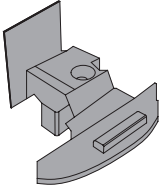
Accessories

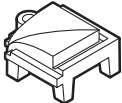


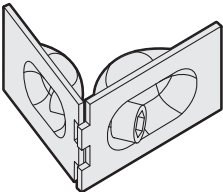
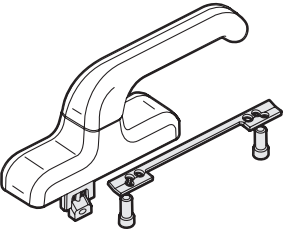
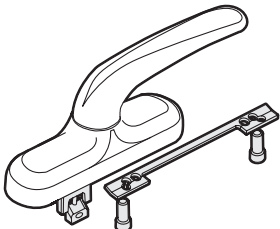
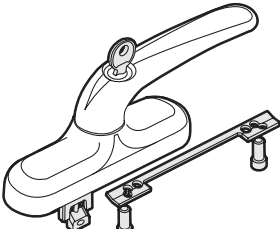
Gaskets

	<p>Code: EA410-420M</p>	<p>Description GLAZING GASKET 1mm</p> <p>Package: 350 m</p>
	<p>Code: US520-1PRM 1mm US520-2PRM 2mm US520-3PRM 3mm US520-4PRM 4mm US520-5PRM 5mm US520-6PRM 6mm US520-7PRM 7mm</p>	<p>Description GLAZING GASKET</p> <p>Package: 10 kg</p>
	<p>Code: US530-1PRM 1mm US530-2PRM 2mm US530-3PRM 3mm US530-4PRM 4mm US530-5PRM 5mm US530-6PRM 6mm US530-7PRM 7mm</p>	<p>Description GLAZING GASKET</p> <p>Package: 10 kg</p>
	<p>Code: EA410-874B</p>	<p>Description VULCANIZED EPDM CORNER FOR FRAME GASKET EA410-408M</p> <p>Package: 50 pcs</p>
	<p>Code: EA410-874M</p>	<p>Description VULCANIZED EPDM CORNER FOR SASH GASKET EA410-408M</p> <p>Package: 50 pcs</p>
	<p>Code: EA410-870</p>	<p>Description VULKANIZED CORNER FOR CENTRAL GASKET</p> <p>Package: 40 pcs</p>

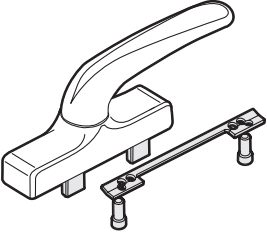
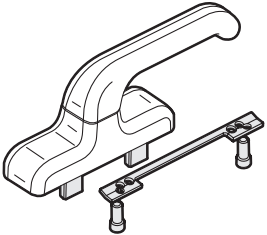
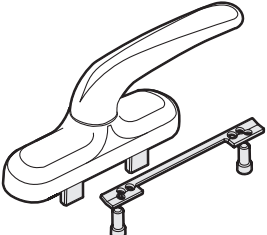
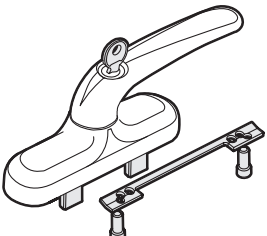
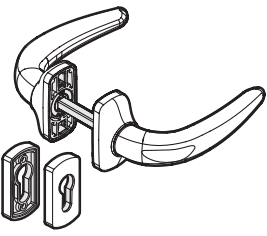
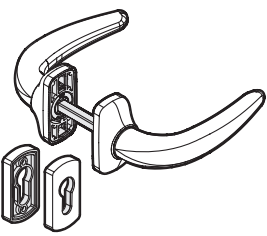
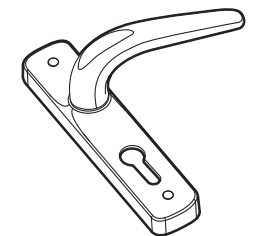
Accessories

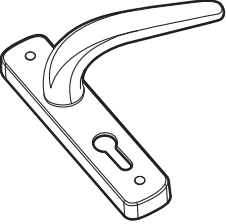
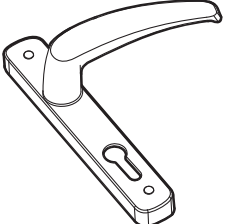
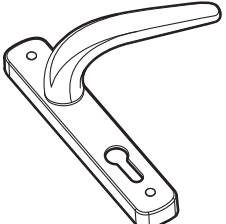
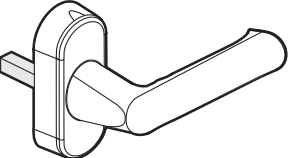
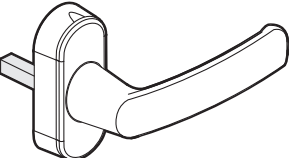
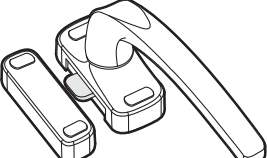
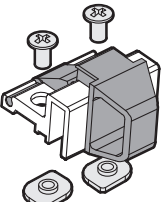
End covers / Plastics

	<p>Code: EA410-836M</p>	<p>Description END COVER FOR WEEP HOLE</p> <p>Package: 1.000 pcs</p>
	<p>Code: EA410-833M</p>	<p>Description END COVER FOR WEEP HOLE PROFILE</p> <p>Package: 1.000 pcs</p>
	<p>Code: EA410-860M</p>	<p>Description CLIP FOR BEAD</p> <p>Package: 100 pcs</p>
	<p>Code: EA410-846M</p>	<p>Description SPACER FOR 245-013 SHUTER PROFILE</p> <p>Package: 600 pcs</p>
	<p>Code: EA540-831</p>	<p>Description END COVER FOR 38-006 PROFILE</p> <p>Package: 200 pairs</p>
	<p>Code: EA410-852</p>	<p>Description END COVER - CURVED</p> <p>Package: 125 pairs</p>

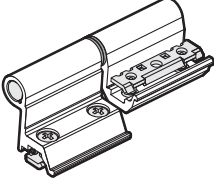
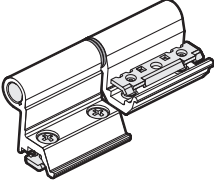
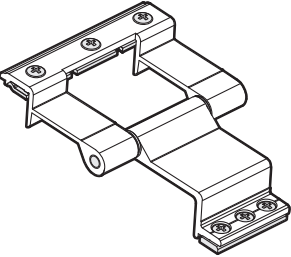
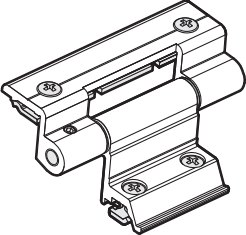
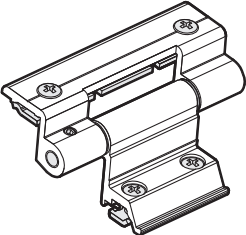
	<p>Code: EA410-880A</p>	<p>Description DECORATIVE CORNER FOR BEAD 420-721 (WHITE)</p> <p>Package: 100 pcs</p>
	<p>Code: EA410-140U</p>	<p>Description MULLION CONNECTOR</p> <p>Package: 100 pcs</p>
	<p>Code: EA410-102U</p>	<p>Description METALLIC JOINT FOR TRANSOM</p> <p>Package: 500 pcs</p>
	<p>Code: U0860-1ALU</p>	<p>Description METALLIC CORNER JOINT 219</p> <p>Package: 800 pcs</p>
	<p>Code: U0110-1GSA</p>	<p>Description TILT & TURN CREMONE EURO, WHITE (01090410)</p> <p>Package: 10 pcs</p>
	<p>Code: U0110-2GSA</p>	<p>Description TILT & TURN CREMONE PRIMA, WHITE (01033410)</p> <p>Package: 10 pcs</p>
	<p>Code: U0110-4GSA</p>	<p>Description TILT & TURN CREMONE PRIMA WITH KEY, WHITE (01112410)</p> <p>Package: 5 pcs</p>

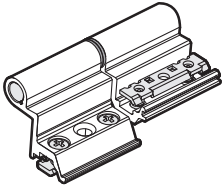
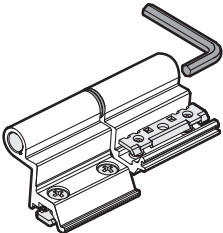
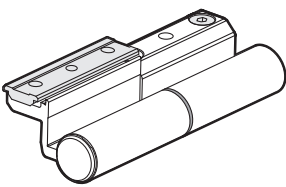
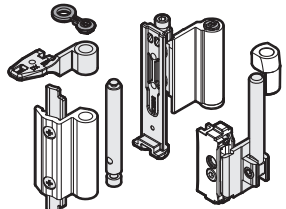
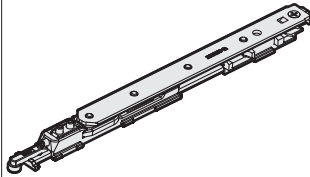

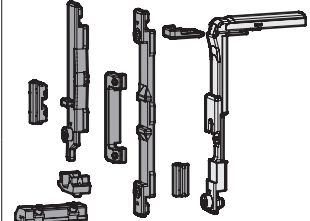
Accessories

	<p>Code: UO410-1ALA</p>	<p>Description CREMONE FOR OPENING, WHITE (XS-100)</p> <p>Package: 40 pcs</p>
	<p>Code: UO410-1GSA</p>	<p>Description CREMONE FOR OPENING EURO, WHITE (01000410)</p> <p>Package: 10 pcs</p>
	<p>Code: UO410-2GSA</p>	<p>Description CREMONE FOR OPENING PRIMA, WHITE (01024410)</p> <p>Package: 10 pcs</p>
	<p>Code: UO420-2GSA</p>	<p>Description CREMONE FOR OPENING PRIMA WITH KEY, WHITE (01002410)</p> <p>Package: 5 pcs</p>
	<p>Code: UO720-1ALA</p>	<p>Description DOUBLE HANDLE WITH ROSETTE, WHITE (X-1010)</p> <p>Package: 20 pcs</p>
	<p>Code: UO720-1PLA</p>	<p>Description DOUBLE HANDLE WITH ROSETTE, WHITE (PL300)</p> <p>Package: 20 pcs</p>
	<p>Code: UO730-1ALA</p>	<p>Description HANDLE WITH BUILT ROSETTE, WHITE (XG-2008)</p> <p>Package: 40 pcs</p>

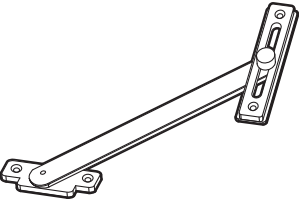
	<p>Code: UO730-1PLA</p>	<p>Description HANDLE WITH BUILT ROSETTE, WHITE (PL500)</p> <p>Package: 20 pcs</p>
	<p>Code: UO740-1ALA</p>	<p>Description THIN HANDLE WITH BUILT ROSETTE, WHITE (XO-2009)</p> <p>Package: 20 pcs</p>
	<p>Code: UO740-1PLA</p>	<p>Description THIN HANDLE WITH BUILT ROSETTE, WHITE (PL.501)</p> <p>Package: 20 pcs</p>
	<p>Code: US710-1RTA</p>	<p>Description ATLANTA HANDLE, WHITE</p> <p>Package: 10 pcs</p>
	<p>Code: US710-2RTA/S/T</p>	<p>Description SPARTA HANDLE (A: White, S: Silver, T: Titanium)</p> <p>Package: 10 pcs</p>
	<p>Code: UO750-1ALA</p>	<p>Description HANDLE FOR SMALL WINDOW, WHITE (XM-360)</p> <p>Package: 40 pcs</p>
	<p>Code: UO820-1GSA</p>	<p>Description FINGER PULL LOCK, WHITE (01704410)</p> <p>Package: 50 pcs</p>

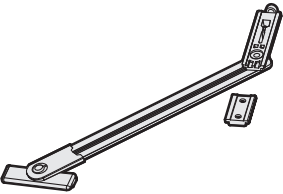
Accessories

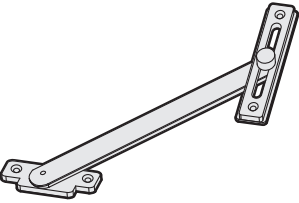
	<p>Code: UO220-1ALA</p>	<p>Description DOUBLE HINGE, WHITE</p> <p>Package: 100 pcs</p>																														
	<p>Code: UO220-1GSA</p>	<p>Description DOUBLE HINGE, WHITE (00120410)</p> <p>Package: 20 pcs</p>																														
	<p>Code: (A) UO605-1ALA (B) UO607-1ALA (C) UO610-1ALA (D) UO612-1ALA (E) UO614-1ALA (F) UO616-1ALA (G) UO618-1ALA (H) UO622-1ALA (I) UO624-1ALA</p>	<p>Description HINGE FOR SHUTTERS, WHITE</p> <table border="1" data-bbox="804 901 1342 1312"> <thead> <tr> <th></th> <th>Dimensions</th> <th>Package</th> </tr> </thead> <tbody> <tr> <td>(A)</td> <td>52 mm</td> <td>70 pcs</td> </tr> <tr> <td>(B)</td> <td>72 mm</td> <td>60 pcs</td> </tr> <tr> <td>(C)</td> <td>97 mm</td> <td>50 pcs</td> </tr> <tr> <td>(D)</td> <td>122 mm</td> <td>40 pcs</td> </tr> <tr> <td>(E)</td> <td>142 mm</td> <td>40 pcs</td> </tr> <tr> <td>(F)</td> <td>162 mm</td> <td>30 pcs</td> </tr> <tr> <td>(G)</td> <td>185 mm</td> <td>20 pcs</td> </tr> <tr> <td>(H)</td> <td>220 mm</td> <td>20 pcs</td> </tr> <tr> <td>(I)</td> <td>240 mm</td> <td>20 pcs</td> </tr> </tbody> </table>		Dimensions	Package	(A)	52 mm	70 pcs	(B)	72 mm	60 pcs	(C)	97 mm	50 pcs	(D)	122 mm	40 pcs	(E)	142 mm	40 pcs	(F)	162 mm	30 pcs	(G)	185 mm	20 pcs	(H)	220 mm	20 pcs	(I)	240 mm	20 pcs
	Dimensions	Package																														
(A)	52 mm	70 pcs																														
(B)	72 mm	60 pcs																														
(C)	97 mm	50 pcs																														
(D)	122 mm	40 pcs																														
(E)	142 mm	40 pcs																														
(F)	162 mm	30 pcs																														
(G)	185 mm	20 pcs																														
(H)	220 mm	20 pcs																														
(I)	240 mm	20 pcs																														
	<p>Code: UO230-1ALA</p>	<p>Description TRIPLE HINGE, WHITE</p> <p>Package: 100 pcs</p>																														
	<p>Code: UO230-1GSA</p>	<p>Description TRIPLE HINGE, WHITE (00600410)</p> <p>Package: 50 pcs</p>																														


	<p>Code: U0233-1ALA</p>	<p>Description HINGE FOR THIRD LEAF, WHITE</p> <p>Package: 100 pcs</p>
	<p>Code: U0233-1GSA</p>	<p>Description ADJUSTABLE HINGE FOR THIRD LEAF, WHITE (00151410)</p> <p>Package: 20 pcs</p>
	<p>Code: U0250-1GSA</p>	<p>Description HEAVY DUTY HINGE, WHITE (00535410)</p> <p>Package: 20 pcs</p>
	<p>Code: U0120-1GSA</p>	<p>Description TILT & TURN MECHANISM KIT, WHITE (04711410)</p> <p>Package: 5 pcs</p>
	<p>Code: U0130-1GSA</p>	<p>Description TILT & TURN MECHANISM ARM No1 (04200000)</p> <p>Package: 10 pcs</p>
	<p>Code: U0130-2GSA</p>	<p>Description TILT & TURN MECHANISM ARM No2 (04201000)</p> <p>Package: 10 pcs</p>
	<p>Code: U0140-1GSU</p>	<p>Description TILT & TURN CREMONE ACCESSORIES SET (04704000)</p> <p>Package: 10 pcs</p>

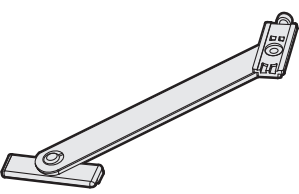
Accessories

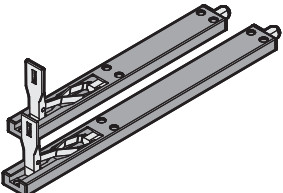
	<p>Code: UO150-1ALA</p>	<p>Description PLASTIC LIMIT ARM WITH ALUMINIUM HAND, WHITE</p> <p>Package: 100 pcs</p>
---	------------------------------------	--

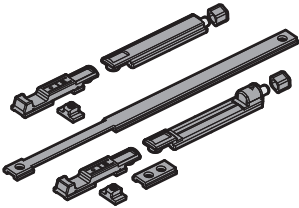
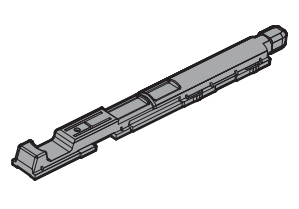
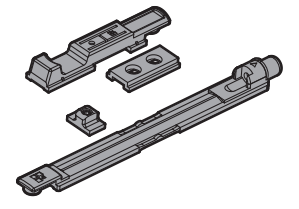
	<p>Code: UO150-1GSU</p>	<p>Description LIMIT ARM WITH BRAKE (02030000)</p> <p>Package: 10 pcs</p>
---	------------------------------------	--

	<p>Code: UO150-2ALU</p>	<p>Description METALLIC LIMIT ARM WITH INOX HAND</p> <p>Package: 100 pcs</p>
--	------------------------------------	---

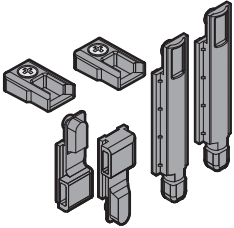
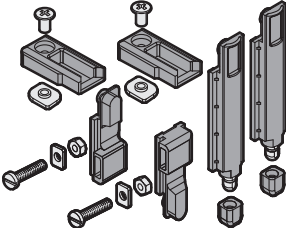
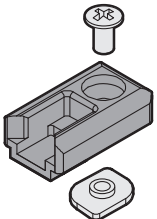
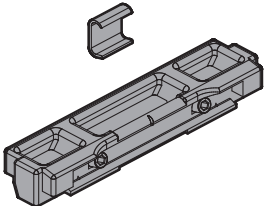
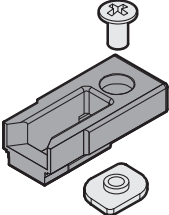
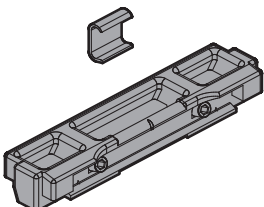
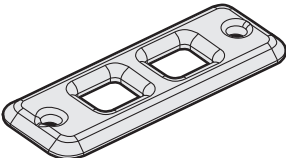
	<p>Code: UO150-2GSU</p>	<p>Description 5 POINT LIMIT ARM (01955000)</p> <p>Package: 10 pcs</p>
---	------------------------------------	---

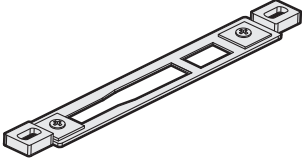
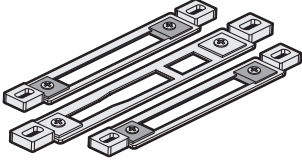
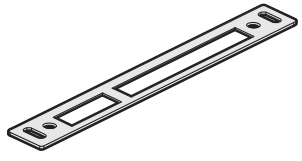
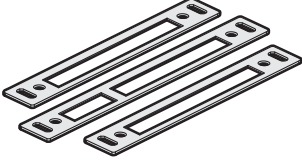
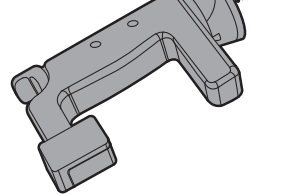
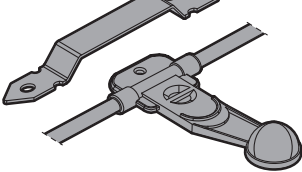
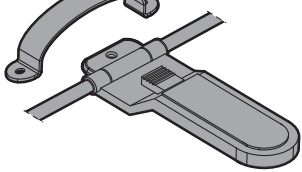
	<p>Code: (A) UO150-3GSU (B) UO150-4GSU</p>	<p>Description TILT & TURN LIMIT ARM (02041000)</p> <table border="1" data-bbox="785 1611 1409 1712"> <thead> <tr> <th></th> <th>Dimensions</th> <th>Package</th> </tr> </thead> <tbody> <tr> <td>(A)</td> <td>150 mm</td> <td>10 pcs</td> </tr> <tr> <td>(B)</td> <td>250 mm</td> <td>10 pcs</td> </tr> </tbody> </table>		Dimensions	Package	(A)	150 mm	10 pcs	(B)	250 mm	10 pcs
	Dimensions	Package									
(A)	150 mm	10 pcs									
(B)	250 mm	10 pcs									

	<p>Code: (A) EA410-382 (B) EA410-385</p>	<p>Description DOUBLE LEAF SUPPORTING LATCH</p> <table border="1" data-bbox="785 1908 1409 2009"> <thead> <tr> <th></th> <th>Dimensions</th> <th>Package</th> </tr> </thead> <tbody> <tr> <td>(A)</td> <td>220 mm</td> <td>20 pcs</td> </tr> <tr> <td>(B)</td> <td>450 mm</td> <td>20 pcs</td> </tr> </tbody> </table>		Dimensions	Package	(A)	220 mm	20 pcs	(B)	450 mm	20 pcs
	Dimensions	Package									
(A)	220 mm	20 pcs									
(B)	450 mm	20 pcs									

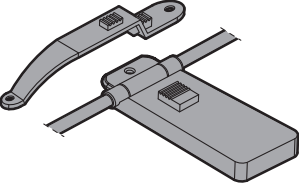
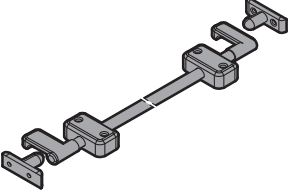
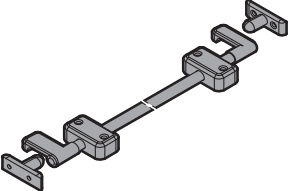
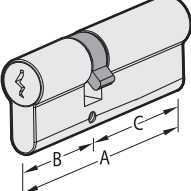
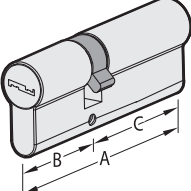
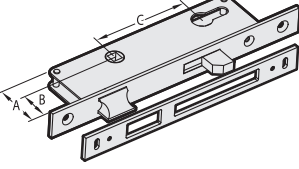
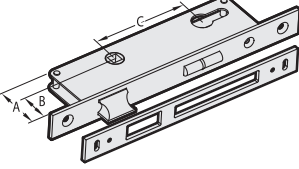
	<p>Code: UO310-1GSM</p>	<p>Description LOCK FOR MECHANISM (04274000)</p> <p>Package: 10 pcs</p>
	<p>Code: UO310-2ALM</p>	<p>Description ONE WAY LOCK FOR MECHANISM (1030)</p> <p>Package: 25 pcs</p>
	<p>Code: UO310-2GSM</p>	<p>Description ONE WAY LOCK FOR MECHANISM (02191000)</p> <p>Package: 10 pcs</p>
	<p>Code: UO320-1GSM</p>	<p>Description PLASTIC DOUBLE SASH LOCK (02111000)</p> <p>Package: 50 pcs</p>
	<p>Code: UO330-1ALM</p>	<p>Description METALLIC DOUBLE SASH BOLT</p> <p>Package: 50 pcs</p>
	<p>Code: UO330-1GSM</p>	<p>Description METALLIC DOUBLE SASH BOLT (02168000)</p> <p>Package: 10 pcs</p>

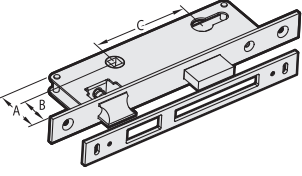
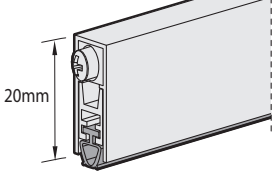
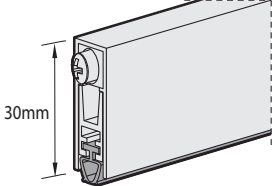
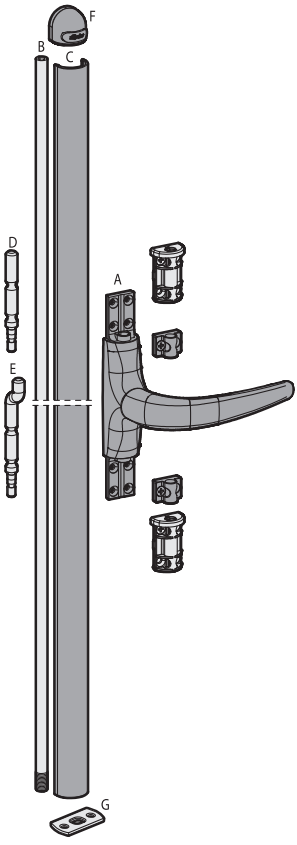
Accessories

	<p>Code: U0510-1ALM</p>	<p>Description PLASTIC CREMONE KIT FOR OPENING</p> <p>Package: 100 pcs</p>
	<p>Code: (A) U0510-1GSM* (B) U0520-1ALM</p>	<p>Description CREMONE KIT FOR OPENING *(02270000)</p> <p>A= PLASTIC B= METALLIC</p> <p>Package: A=170 pcs, B=40 pcs</p>
	<p>Code: U0831-1GSU</p>	<p>Description METALLIC SINGLE FRAME STRIKER (01314000)</p> <p>Package: 100 pcs</p>
	<p>Code: U0832-1GSU</p>	<p>Description METALLIC DOUBLE FRAME STRIKER (01349000)</p> <p>Package: 100 pcs</p>
	<p>Code: U0841-1GSM</p>	<p>Description PLASTIC SINGLE FRAME STRIKER FOR BOLT (01322000)</p> <p>Package: 100 pcs</p>
	<p>Code: U0842-1GSM</p>	<p>Description PLASTIC DOUBLE FRAME STRIKER FOR BOLT (01339000)</p> <p>Package: 100 pcs</p>
	<p>Code: U0852-1GSA</p>	<p>Description INOX DOUBLE FRAME STRIKER FOR DOOR (01326000)</p> <p>Package: 100 pcs</p>

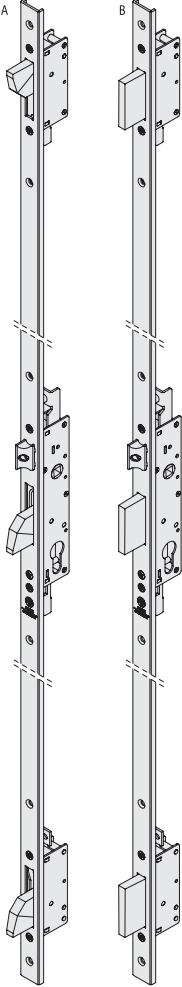
	<p>Code: U0862-1ALU</p>	<p>Description INOX ADJUSTABLE SINGLE STRIKING PLATE</p> <p>Package: 100 pcs</p>
	<p>Code: U0862-2ALU</p>	<p>Description INOX ADJUSTABLE 3 POINT STRIKING PLATE</p> <p>Package: 50 pcs</p>
	<p>Code: (A) U0862-3ALU (B) U0862-2DMU</p>	<p>Description LOCK ADJUSTABLE SINGLE STRIKING PLATE</p> <p>Package: A=200 pcs, B=50 pcs</p>
	<p>Code: (A) U0862-4ALU (B) U0862-1DMU</p>	<p>Description LOCK ADJUSTABLE 3 POINTS STRIKING PLATE</p> <p>Package: A=50 pcs, B=20 pcs</p>
	<p>Code: U0861-1ALM</p>	<p>Description PLASTIC HOLDER FOR SHUTTERS</p> <p>Package: 20 pcs</p>
	<p>Code: U0863-1ALM</p>	<p>Description LIBRETO SHUTTERS LOCK, BLACK</p> <p>Package: 50 pcs</p>
	<p>Code: U0863-2ALM</p>	<p>Description SHUTTERS LOCK, BLACK</p> <p>Package: 40 pcs</p>

Accessories

	<p>Code: U0864-1PLM</p>	<p>Description SHUTTERS LOCK, BLACK</p> <p>Package: 50 pcs</p>									
	<p>Code: (A) U0865-1PLM (B) U0865-2PLM</p>	<p>Description SHUTTER ROD FOR U0864-1PLM</p> <table border="1" data-bbox="785 650 1409 753"> <thead> <tr> <th></th> <th>Dimensions</th> <th>Package</th> </tr> </thead> <tbody> <tr> <td>(A)</td> <td>140 mm</td> <td>10 pcs</td> </tr> <tr> <td>(B)</td> <td>230 mm</td> <td>10 pcs</td> </tr> </tbody> </table>		Dimensions	Package	(A)	140 mm	10 pcs	(B)	230 mm	10 pcs
	Dimensions	Package									
(A)	140 mm	10 pcs									
(B)	230 mm	10 pcs									
	<p>Code: (A) U0865-1ALM (B) U0865-2ALM</p>	<p>Description SHUTTER ROD</p> <table border="1" data-bbox="785 910 1426 1013"> <thead> <tr> <th></th> <th>Dimensions</th> <th>Package</th> </tr> </thead> <tbody> <tr> <td>(A)</td> <td>150 mm</td> <td>10 pcs</td> </tr> <tr> <td>(B)</td> <td>230 mm</td> <td>10 pcs</td> </tr> </tbody> </table>		Dimensions	Package	(A)	150 mm	10 pcs	(B)	230 mm	10 pcs
	Dimensions	Package									
(A)	150 mm	10 pcs									
(B)	230 mm	10 pcs									
	<p>Code: EA410-720U</p>	<p>Description CYLINDER</p> <table border="1" data-bbox="785 1203 1423 1275"> <thead> <tr> <th>Dimensions</th> <th>Package</th> </tr> </thead> <tbody> <tr> <td>A: 85mm, B: 30mm, C: 55mm</td> <td>30 pcs</td> </tr> </tbody> </table>	Dimensions	Package	A: 85mm, B: 30mm, C: 55mm	30 pcs					
Dimensions	Package										
A: 85mm, B: 30mm, C: 55mm	30 pcs										
	<p>Code: EA410-725U</p>	<p>Description SECURITY CYLINDER</p> <table border="1" data-bbox="785 1465 1415 1537"> <thead> <tr> <th>Dimensions</th> <th>Package</th> </tr> </thead> <tbody> <tr> <td>A: 85mm, B: 30mm, C: 55mm</td> <td>30 pcs</td> </tr> </tbody> </table>	Dimensions	Package	A: 85mm, B: 30mm, C: 55mm	30 pcs					
Dimensions	Package										
A: 85mm, B: 30mm, C: 55mm	30 pcs										
	<p>Code: EA410-703U/N</p>	<p>Description 1 POINT LOCK 35mm (U=INOX, N=NICKEL)</p> <p>Package: 30 pcs</p>									
	<p>Code: EA410-707U/N</p>	<p>Description 1 POINT LOCK 35mm (U=INOX, N=NICKEL)</p> <p>Package: 30 pcs</p>									

	<p>Code: EA410-710U/N</p>	<p>Description 1 POINT LOCK 35mm (U=INOX, N=NICKEL) (A: 50mm, B: 35mm, C: 85mm)</p> <p>Package: 30 pcs</p>																		
	<p>Code: EA410-640</p>	<p>Description MECHANICAL DOOR SEALING SYSTEM FOR 510-401 PROFILE</p> <table border="1" data-bbox="938 607 1449 677"> <thead> <tr> <th></th> <th colspan="7">Length</th> </tr> </thead> <tbody> <tr> <td>cm</td> <td>53</td> <td>63</td> <td>73</td> <td>83</td> <td>93</td> <td>103</td> <td>113</td> </tr> </tbody> </table> <p>Package: 5 pcs</p>		Length							cm	53	63	73	83	93	103	113		
	Length																			
cm	53	63	73	83	93	103	113													
	<p>Code: EA410-670</p>	<p>Description MECHANICAL DOOR SEALING SYSTEM FOR 510-402 PROFILE</p> <table border="1" data-bbox="938 869 1449 939"> <thead> <tr> <th></th> <th colspan="7">Length</th> </tr> </thead> <tbody> <tr> <td>cm</td> <td>53</td> <td>63</td> <td>70</td> <td>73</td> <td>80</td> <td>83</td> <td>93</td> <td>103</td> <td>113</td> </tr> </tbody> </table> <p>Package: 5 pcs</p>		Length							cm	53	63	70	73	80	83	93	103	113
	Length																			
cm	53	63	70	73	80	83	93	103	113											
	<p>Code: (A) EA410-541 (B) EA410-530 (C) EA410-580 (D) EA410-585-00 (E) EA410-585-01 (F) EA410-586 (G) EA410-587</p>	<p>Description SHUTTER ROD MECHANISM</p> <ul style="list-style-type: none"> (A) Cremone (B) Shutter rod 140cm (C) Rod cover (D) Straight stainless steel rod end (E) Curved stainless steel rod end (F) Shutter rod keeper (G) Stainless steel rod keeper <p>Package: 10 pcs</p>																		

Accessories

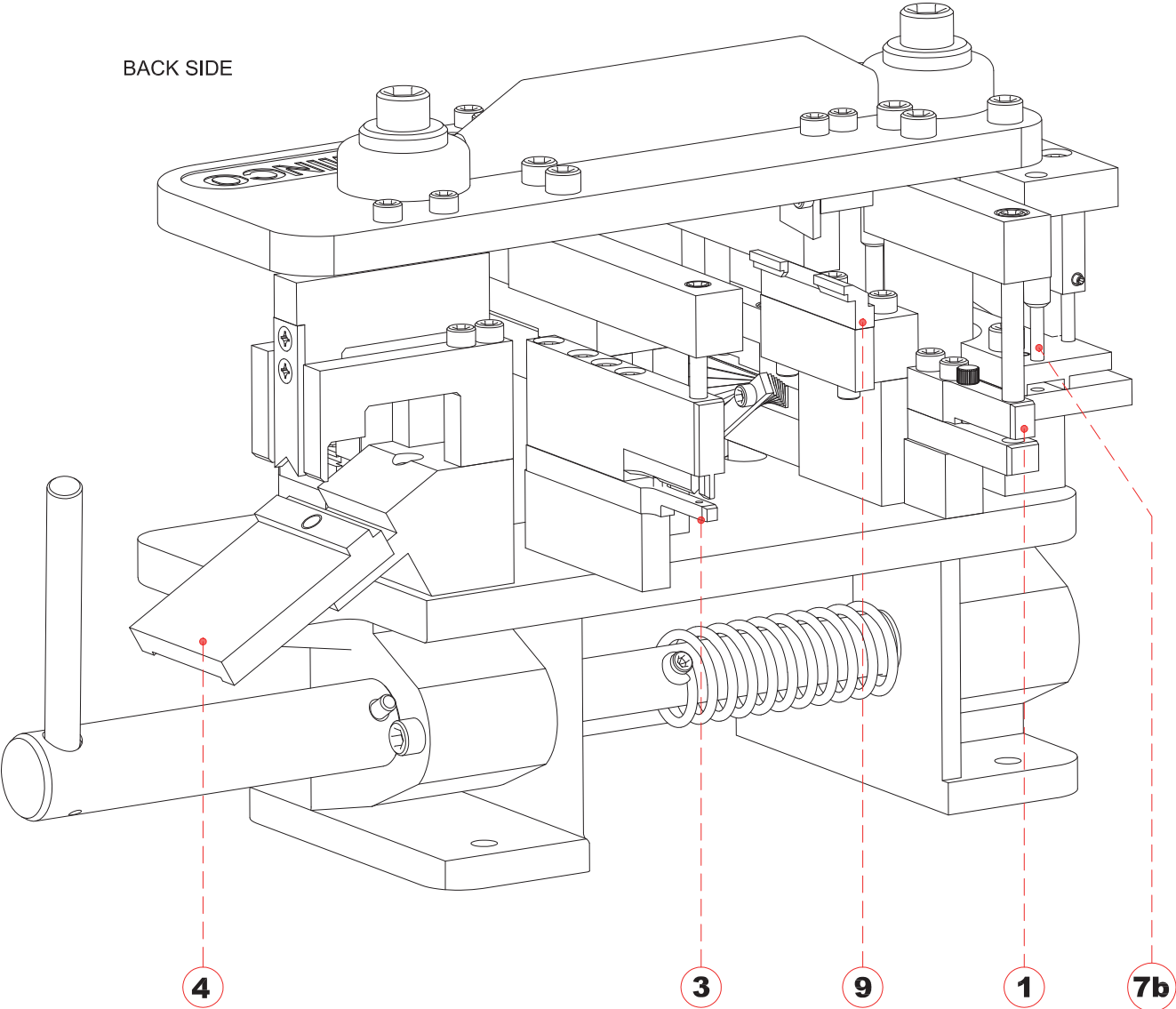
	<p>Code:</p> <p>(A) EA410-713</p> <p>(B) EA410-763</p>	<p>Description (A) 3 POINT FALLING LATCH LOCK (B) 3 POINT MORTISE LOCK</p> <p>Package: 1 pcs</p>
--	--	--

AL 410
ALUMINIUM SYSTEMS

Punch Machine

PUNCHING MACHINE FOR OPENING SYSTEMS EA010.15PSU.01

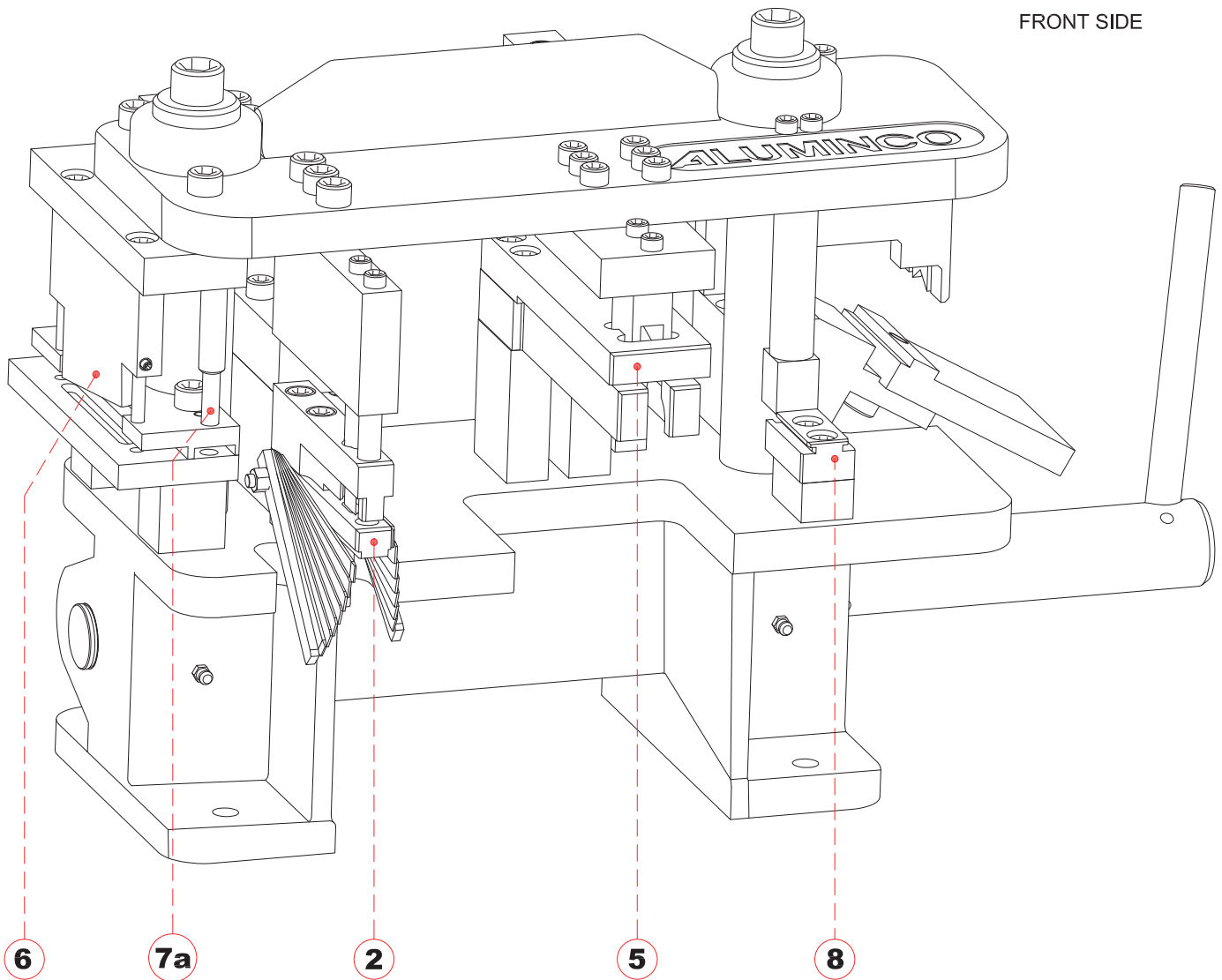
BACK SIDE



1	Piercing for divider connector
3	Piercing for outer corner (pin)
4	Piercing for inner weep hole on frame
7b	Rod piercing Ø6 mm
9	Piercing for weep hole cover

PUNCHING MACHINE FOR OPENING SYSTEMS EA010.15PSU.01

FRONT SIDE



2	Piercing for corner joint
5	Piercing for outer weep hole on frame
6	Cremone bolt piercing
7a	Rod piercing Ø8mm
8	Sash piercing for fitting mechanism

GENERAL GUIDELINES FOR FABRICATION OF ALUMINIUM FRAMES

1. Fabricator should have all the necessary technical leaflets, manuals and catalogues which describe all the necessary working actions for any type of fabrication.
2. Fabricator should possess all the profiles needed for the fabrication of each final product.
3. Fabricator should possess all the necessary accessories and machinery. The machinery should be maintained thoroughly, should be repaired when needed in order to have continuous qualitative production of the final product.
4. In general, working actions (cutting, crimping, drilling) on the profiles should be accurate, using the appropriate mechanical equipment, in order to obtain precise forms and dimensions to be resulted without defects, in a way that the use and installation of the proper accessories is achieved according to the systems technical manuals.
5. Use of frames joint glue at the profiles assembly. Its application, as any glue type, (i.e. in brushes) should be treated in the proper manner according to its manufacturer's suggestions.
6. Screws and other metal assembling and operational elements should be in the provided spots.
7. The surface of the final product should be smooth and clean with no defects.
8. The appropriate press ejectors should be used: for the weep holes - the number needed is related to the frame dimensions - for the water drainage and all other required holes.
9. The selection of gaskets and brushes types should be according to the technical manuals (EPDM-HI FIN) and the Initial Type Testing of the products.
10. Special silicone placement in between the marble and frame profile for maximizing water impermeability.
11. Soldering the gaskets in corners or use of special EPDM corner.
12. Correct glazing fitting, with plastic pads, at the appropriate spots in relation with the fabrication's dimensions and type.
13. In case of technical questions contact with the supplier technical department is suggested.

FRAMES MAINTENANCE GUIDELINES

- Cleaning of the frame's external surface especially in joint sections once a month.
- Use of a soft cloth wet in warm water with use of soap or specialized products.
- Avoid the use of cleaning products of any use, especially chlorine or other acid liquids. Also, avoid usage of sharp objects for any material removal from the frame's surface.
- Maintenance of the seeable accessories with common or specialized lubricants.
- Contact to fabricator for periodic maintenance of the fabrications every 2-5 years.

General Information

- This catalog has been compiled with the greatest of care. The company cannot be responsible for any technical, printing or spelling errors that may occur.
- **The latest version of this catalog is available at the official website of the company.**
- The company has a full range of catalogs for all products. Order or download free the catalog you are interested in from the official website aluminco.com.
- Register now to aluminco.com and find the latest news, new applications and studies of ALUMINCO.



The date of issue of this catalog is written at the back cover.



AL 410
Opening system



11/2015

Aluminium Building Systems Industry - 320 11 Inofita Viotia - Greece
tel. +30 22620 47000 - fax +30 22620 47090 - info@aluminco.com, exports@aluminco.com